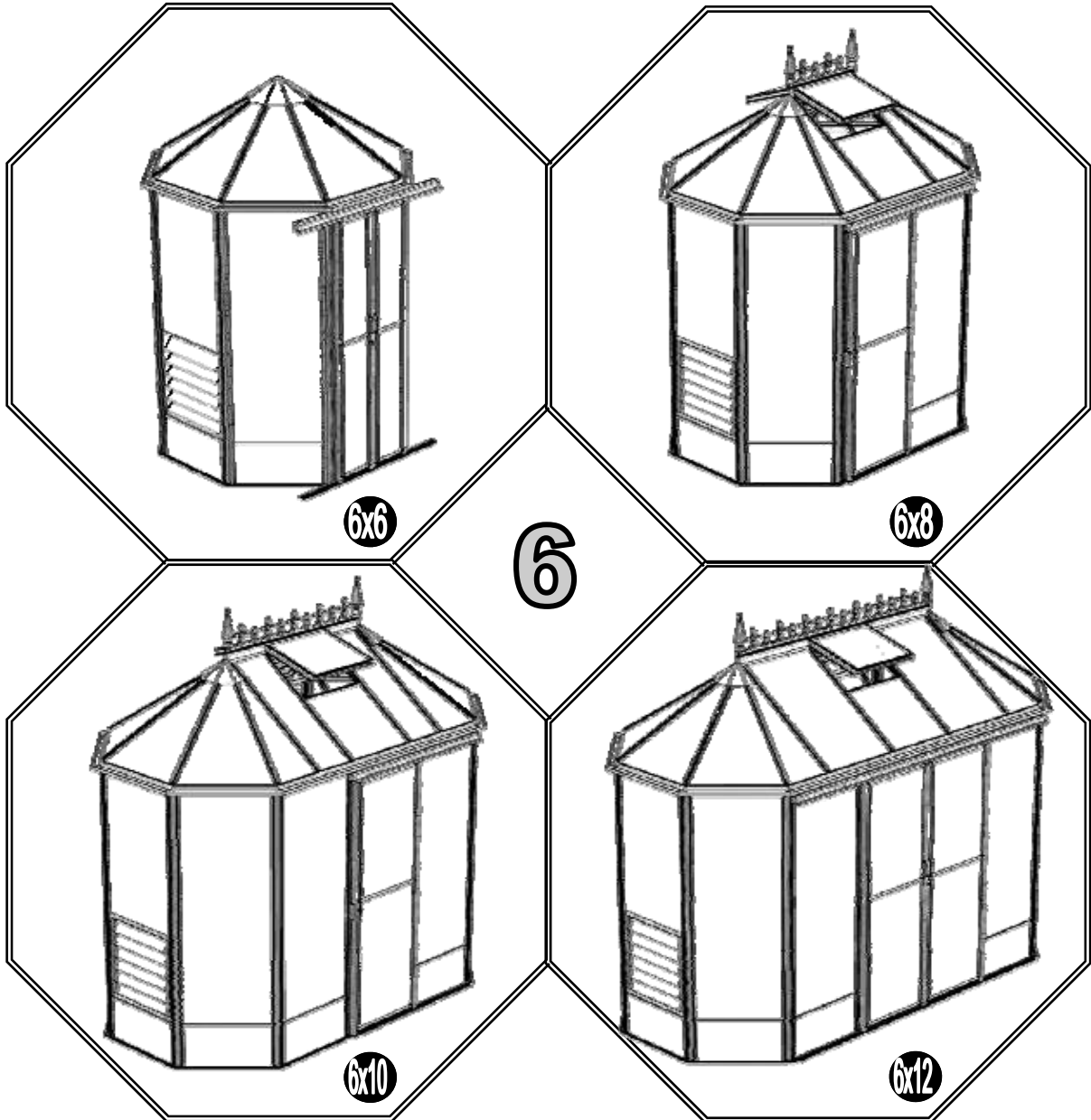


# Renaissance Assembly Instructions



NOMINAL SIZE	A (mm)	B (mm)	C (mm)
6 x 6	1678	1678	2373
6 x 8		2300	2847
6 x 10		2920	3368
6 x 12		3540	3918



Thank you for purchasing your new Robinsons greenhouse. We recommend you familiarise yourself with the instructions and read all safety information before you commence assembly. This instruction manual is also available online at [www.robinsongreenhouses.co.uk](http://www.robinsongreenhouses.co.uk) in our technical help section should you need to reprint it. Should you require any additional advice you can always call us on 01782 385409.

These instructions are divided into sections highlighted by a white number/letter on a black background at the bottom corner of most pages (see opposite page for details); **part lists**, **B**-base, **P**-preparation, **1**-ends, **2**-front/rear, **3**-staging, **4**-roof, **5**-door, **6**-vent, **7**-cresting, **8**-louvre, **9**-glazing, **10**-vent attachment, **11**-door attachment **12**-anchoring down. If you need to contact us for assistance please refer to the relevant section/s. Please note that smaller page numbers are also present bottom middle and these should not be confused with section numbers.

### Safety Warning

- Glass and aluminium can potentially cause injury. Please ensure you wear protective goggles, gloves, headgear and suitable footwear when assembling and glazing the building.
- Please remember that glass is fragile and should be handled with extreme care. Always clear up and dispose of any breakages immediately.
- Do not assemble the greenhouse in high winds.
- For safety reasons and ease of assembly, we recommend that this greenhouse is assembled by a minimum of two people.
- Please clear all lying snow from the greenhouse roof as it can cause the roof to buckle or collapse.

### Site Preparation

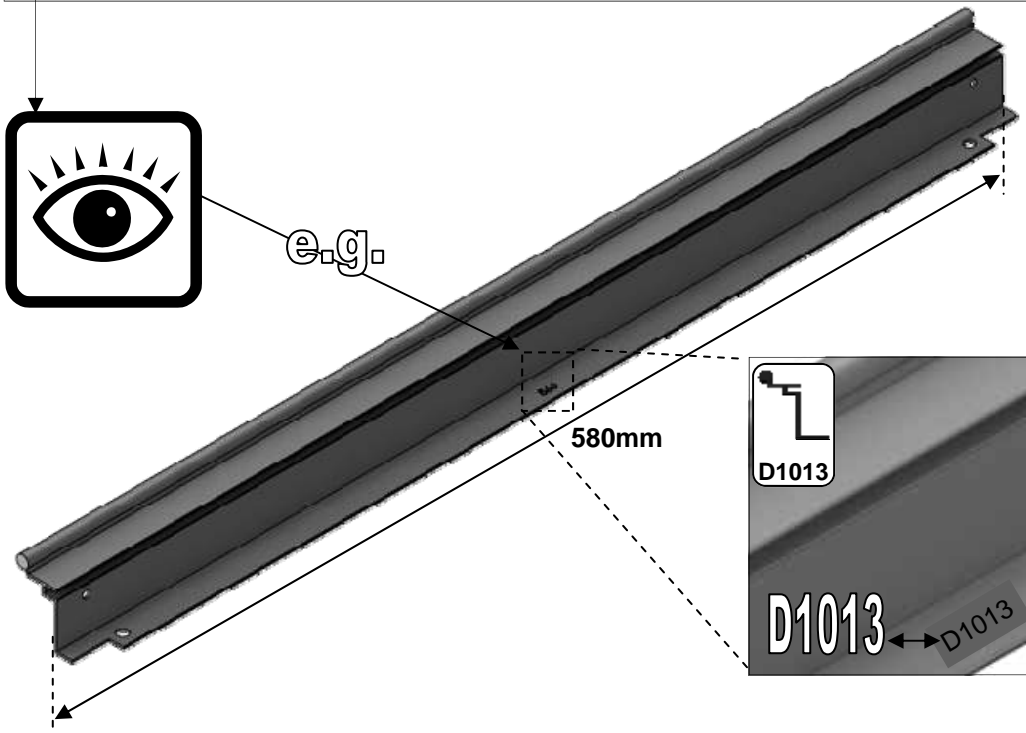
- When selecting a site for your greenhouse, it is vital that you choose as flat and level an area as possible.
- A concrete or slabbed base will provide the most solid foundation for your greenhouse.
- **IMPORTANT:** Do **not** fix your building down until the building is fully assembled, including glazing.
- Avoid placing your greenhouse under trees or in other vulnerable locations.
- To minimise the risk of wind damage, try to select as sheltered a site as possible, e.g. beside a hedgerow or garden fence.

### Additional Considerations

- Please bear in mind that assembling your greenhouse can be time consuming. You may need to spread the construction over two or more days. We recommend that you avoid leaving the building partially glazed. If you ever have to leave your greenhouse half assembled and not anchored down, weigh it down with slabs or bags of sand to stop the wind moving it.
- You will find it helpful to prepare a large, clean and clear area in which to work in. A garage floor or flat lawn area is ideal.
- If you have arranged for someone to install your greenhouse for you, please check that all components are included. Most parts are numbered and can be identified by a stamped number (without the 'D') or removable label. Alternatively, the components can be identified by lengths detailed in the packing list (see diagram below). You may find that you have a few additional door related parts which are not mentioned in this manual, they are redundant on this building.
- Anchoring down your greenhouse should be the final stage of construction (including glazing).
- Once installed your greenhouse requires little maintenance, but to maintain the smooth running of your door(s) WD40 or similar can be applied to the door wheels and lower door guides.

### Guarantee

- Your new Robinsons greenhouse is guaranteed for 10 years against faulty manufacture of the framework. This does not include glazing, moving parts, accidental damage or wind damage.



KEY SYMBOL	KEY DESCRIPTION
	EXTERNAL VIEW
	INTERNAL VIEW
	THINK
	THIS SECTION RELATES TO ANOTHER (e.g. 1 to 5)
	CORRECT
	DO <u>NOT</u> FIX DOWN!
	TWIST TO LOCK
	TIGHTEN
	PUSH AND HOLD
	CUT TO LENGTH














SECTION No	TITLE	ASSEMBLY SYNOPSIS: IMPORTANT INFORMATION / CONSIDERATIONS
B P 1 2 3 4 5 6a 6b 7 8 9 10 11 12	PARTS LIST	Most components should have a 'D' code punched into their metal surface. Identify and separate all like for like components prior to assembly. The 'parts list' also separates parts into the various sections 1 - 12 shown below. Parts can also be identified by their profile pictures and stated lengths etc..
	BASE	Base dimensions and recommendations. Ensure that your base is level as this will make assembly of the building, especially the glazing of the roof much more straight forward.
	PREPARATION	Tools required. <b>IMPORTANT:</b> Use WD40 or similar in the glazing bar channels and insert the black glazing rubber prior to frame assembly.
	OCTAGONAL ENDS	The ends of the building are almost identical on all length models. <b>IMPORTANT:</b> notice however that on the 6x6 version 2 x special handed cills are utilised at the door end.
	FRONT / REAR	Please make sure that the gutter containing the 22mm downpipe hole goes to the rear of the building else your downpipe it will interfere with the door.
	STAGING	Fitting the staging will add rigidity to the structure and help square the structure ready for roof construction. You can choose which height you would like for staging / shelf. Use a tape measure and spirit level to mark the heights of the 'D174' brackets.
	ROOF	Start with the middle section of the roof and then do the roof bars above the octagonal ends after. You may wish to employ another person to assist at this stage.
	DOOR/S	Please note that the 6x6, 6x8&10, 6x12 buildings all have different door/s, details are shown over 6 pages, refer to your relevant pages.
	VENT	Skip this section if you have the 6x6 model. Once the vent is glazed add silicone to the vent sides and top. Stand the vent/s on their hinge (vent top) and then leave the silicone to set.
	VENT SLAM	Skip this section if you have the 6x6 model. The slam bar 'D1009' can be moved up and down between the roof glazing bars so that it can be butted down onto the pane of glass beneath, the autovent will be attached to it later on (10).
	CRESTING / GUTTER JOINTS	It is a good idea to apply the crestring (not on 6x6) at this stage as the glass will inhibit your movement later on. The crestring is siliconed into place. While the silicone is open it is a good idea to add and silicone the gutter joints at the same time. The crestring interlocks together like a jigsaw. The finials however always have a male tab, one of these tabs will need to be sawn off to allow the crestring to abut it seamlessly.
	LOUVRE	Two louvres are supplied with each model and they are best fitted in the centre of the octagonal ends. They attach to the building during the glazing process '8' like a piece of glass with a black separator above and below them.
GLAZING	Layout the bar cappings and covers around the building like a sundial checking that all is present and correct. You can also place the roof cappings in the gutters so they are closer to hand. The glass in the sides has to bevel on the black separator strip which is on top of the 305mm high glass base panels. This bevelling action allows the glass to tuck underneath the gutter canopy. Use the capping and the self tapping screws to then hold the glass in place. The covers then enclose the screw heads giving a neat finish.	
VENT ATTACHMENT	Take the assembled vent and maneuver through the vent aperture. Slide the vent hinge 'D1013' into the end of the ridge allowing the vent the pivot open and closed. Vent stops go either side of the vent to stop any lateral movement. Attachment of the Bayliss XL autovents.	
DOOR ATTACHMENT	There are three different types of door track depending on which model you have purchased. Please make sure you refer to the one relevant to you.	
ANCHORING DOWN	Now that the greenhouse is finished and the doors and vents are operating without interference then you need to anchor the building down using 2" rawl plugs and screws. Use a 7mm masonry bit in a hammer drill to create the holes.	

Please be aware that this is a new manual. If you spot any errors or have any constructive comments regarding the manual please email james@thegreenhousepeople.co.uk and I will make the necessary amendments.

In addition any photographs of completed buildings would be most appreciated to add to our portfolio.

Section Ref	Part No.	Section	Size (mm)	6 6	6 8	6 10	6 12
-------------	----------	---------	-----------	-----	-----	------	------








<b>1</b>	D1005 D1042 (LH) D1043 (RH)		700	4 1 1	6		
	D1000		726	6			
	D1002		1930	8			
	D1022		N/A	8			
	RUBBER		1000 (1m)	32			
	D174		N/A	4			








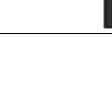
<b>2</b>	D1005		700	2				
	D1006		1321	2				
	D1035		1941			2		
	D1036		2561			2		
	D508		1930	0	2	4	5	
	D1000		726	1				
	D1041 (+hole)		726	1				
	D1001 (+hole)		1347	1				
	D1028		1347	1				
	D1029		1966			1		
	D1030 (+hole)		1966			1		
	D1033 (+hole)		2586			1		
	D1034		2586			1		
	RUBBER			1000 (1m)	0	8	16	20
	D174			N/A	4	6	8	9

<b>3</b>	D174		N/A	16	17	18	19
	D275		10	1 = SYBOLM6X11CROP 1 bag of 25			
	D243		N/A	1 bag of 25			
	D2042		600	6	7	8	9
	D2014		385	4			

# Renaissance

Section Ref	Part No.	Section	Size (mm)	6 6	6 8	6 10	6 12
-------------	----------	---------	-----------	-----	-----	------	------

<b>4</b>	N/A		N/A	0			
	D1004		650	1			
	D1031		1270			1	
	D1032		1890			1	
	D1007		955	0	4	8	8
	D1003		965	8			
	D077		N/A	1			
	D1021			2			
	D1037		16	0	2		
	F5007		22	0	4		
F5006	M6		0	4			
RUBBER		1000 (1m)	16	24	32	32	

<b>5</b>	D090 + D302 lock = D301		1824	1			
	D092 + D156 strike = D303		1824	1	N/A		1
	D093		1824	1	N/A		1
	D094		1824	1			
	D059+ D217 wheel = D060		305	2			
	D096 + D217 wheel = D307		611	1		1	2
	D061		305	2			
	D095		611	1		1	2
	D062		305	2			
	D097		611	1		1	2

Section Ref	Part No.	Section	Size (mm)	6 6	6 8	6 10	6 12
-------------	----------	---------	-----------	-----	-----	------	------

<b>5</b>	D232		905	4	2	4	
	D233		797	4	2	4	
	P053		N/A	2	1	2	
	D225		610	1 cut	.1	2	
	D840B		4000		1		
	D263 Pack of 7		N/A	14	7	14	

<b>6</b>	D1013		580	0	1	2	2
	D1011		453	0	1	2	2
	D1012		453	0	1	2	2
	D1010		534	0	1	2	2
	D1009 PLUS FLUFF		528	0	1	2	2
	D114		N/A	0	2	4	4
	D220 PLUS SCREW		N/A	0	2	4	4
	D205R		N/A	0	2	4	4

<b>7</b>	D1024		N/A	8			
	ROCRE G/W		N/A	0	2	3.5 (4)	5
	ROFIN G/W		N/A	0	2		

Section Ref	Part No.	Section	Size (mm)	6 6	6 8	6 10	6 12
-------------	----------	---------	-----------	-----	-----	------	------

<b>9</b>	1/2/3	D541		1915	14	16	18	19	
	4a	D1019		965	0	4	8	8	
	2	D814		1883	2				
	4b	D1026		970	8				
	1/2/3	D544		1915	14	16	18	19	
	2	D836		1883	2				
	4a	D1020		965	0	4	8	8	
	4b	D1027		970	8				
		D076		N/A	1				
		D1023		N/A		2			

<b>11</b>	D514		590	1	N/A		
	D512		1210	N/A		1	
	D864		590	N/A	1	N/A	
	D860		1240	1		N/A	
	D861		2450	N/A		1	
	D087		587	1		N/A	
	D088		1207	N/A		1	
	D081 D083 D085		1270 1270 2510	1	1		1
	D082 D084 D086		1270 1270 2510	1	1		1
	D163		90	2			
	D150		N/A	1	N/A		1
	D204L & R/B			1 + 1			
	D845			2			
	D312			2			

SYBOLM6X11		10	48	50	60	61
SYBOLM6X11		15	38	38	40	44
SYNUTM6		M6	86	88	100	105
FS6016		10	56	72	88	92
RUBBER TOTAL		1000 (1m)	48	64	80	84

# RENAISSANCE EXTERNAL BASE DIMENSIONS (mm)

Model sizes listed are **nominal**, use 'mm' measurements.

MODEL	A (mm) WIDTH	B (mm) LENGTH	C (mm) DIAGONAL
6 x 6	1678	1678	2373
6 x 8		2300	2847
6 x 10		2920	3368
6 x 12		3540	3918

## THE DIMENSIONS BELOW ARE THE EXACT EXTERNAL BASE DIMENSIONS FOR THE ROBINSONS RANGE.

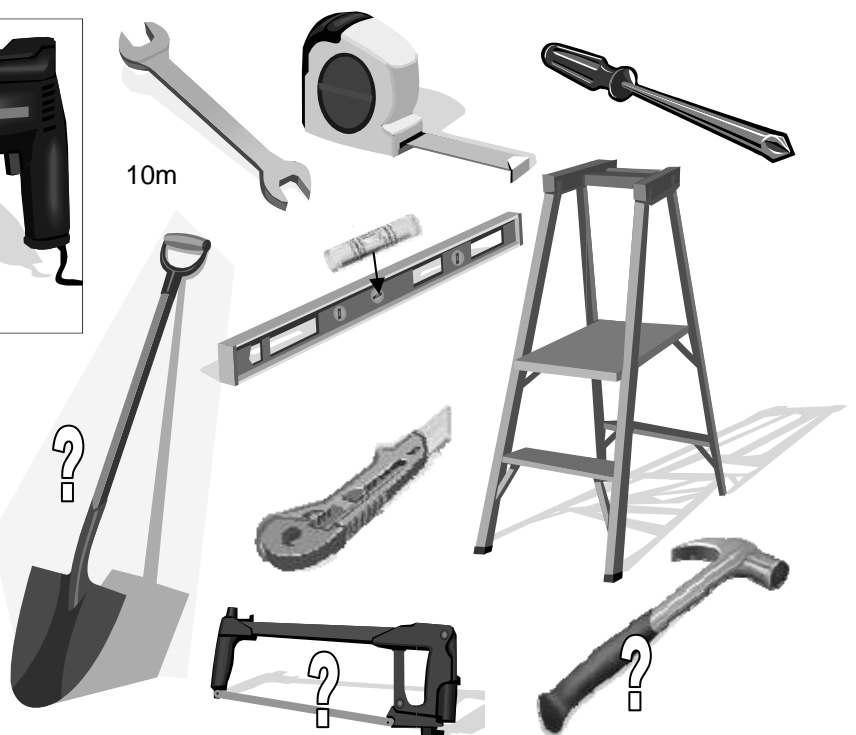
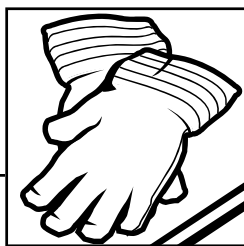
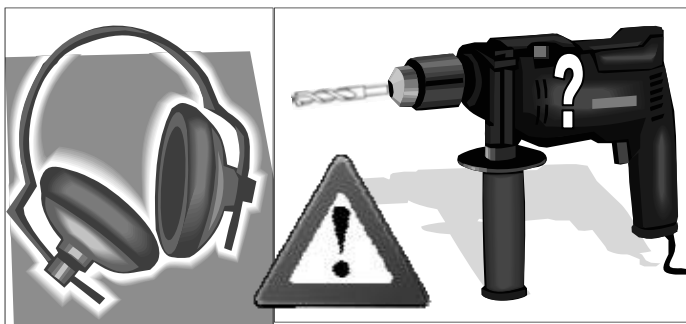
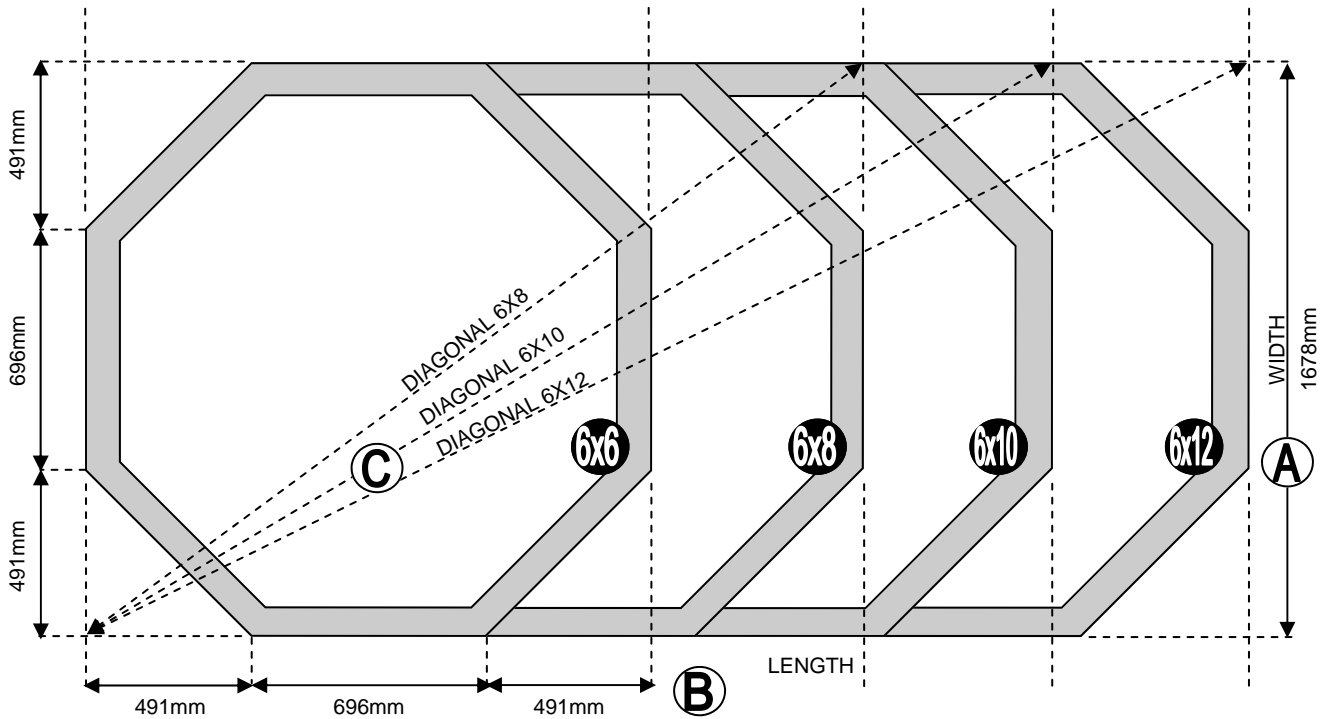
We cannot emphasize how important it is to have a proper base for your Robinsons Greenhouse to be erected upon.

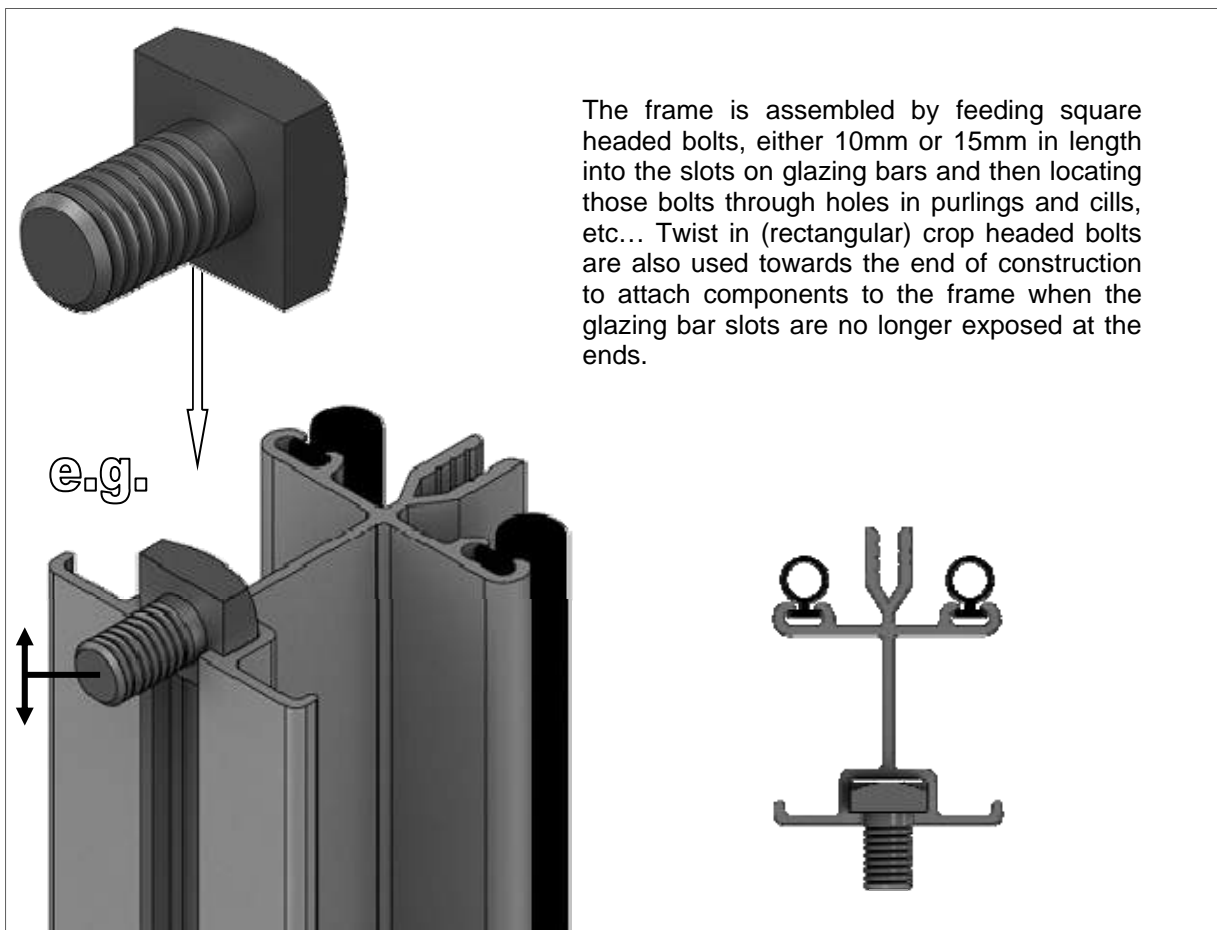
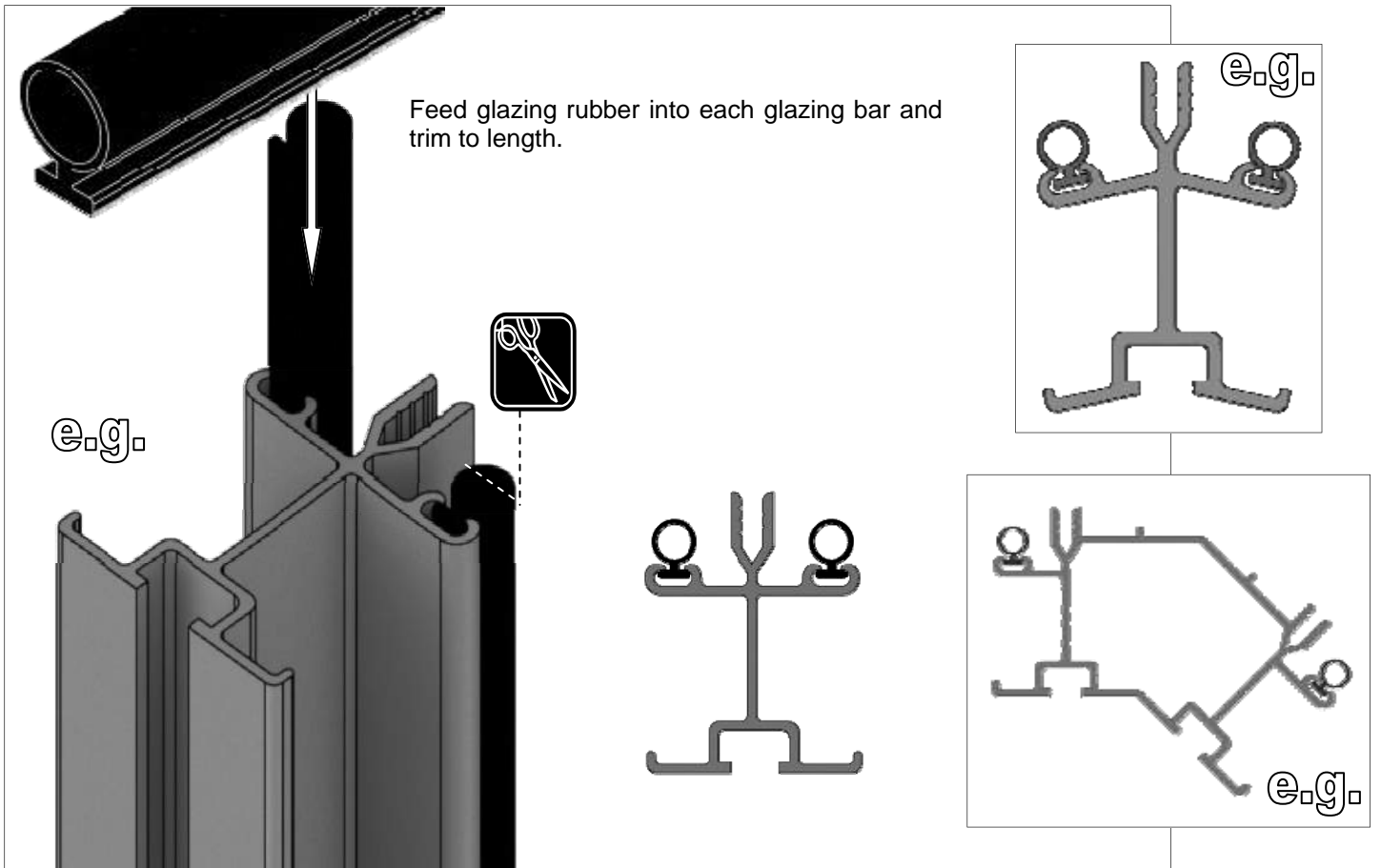
It is essential that the **BASE IS FLAT, LEVEL AND SQUARE AS WELL AS BEING SUBSTANTIAL** enough to take the weight of the greenhouse including its 4mm glass.




Give yourself enough room around your base to allow for fitting the glass and any on-going maintenance / cleaning. A slab base which is larger than the greenhouse is the ideal solution and is our preferred foundation.

A brick perimeter base is equally suitable providing there is a concrete foundation beneath it. We suggest using a solid brick with no frogs or holes (quality stock bricks or semi-engineering bricks).

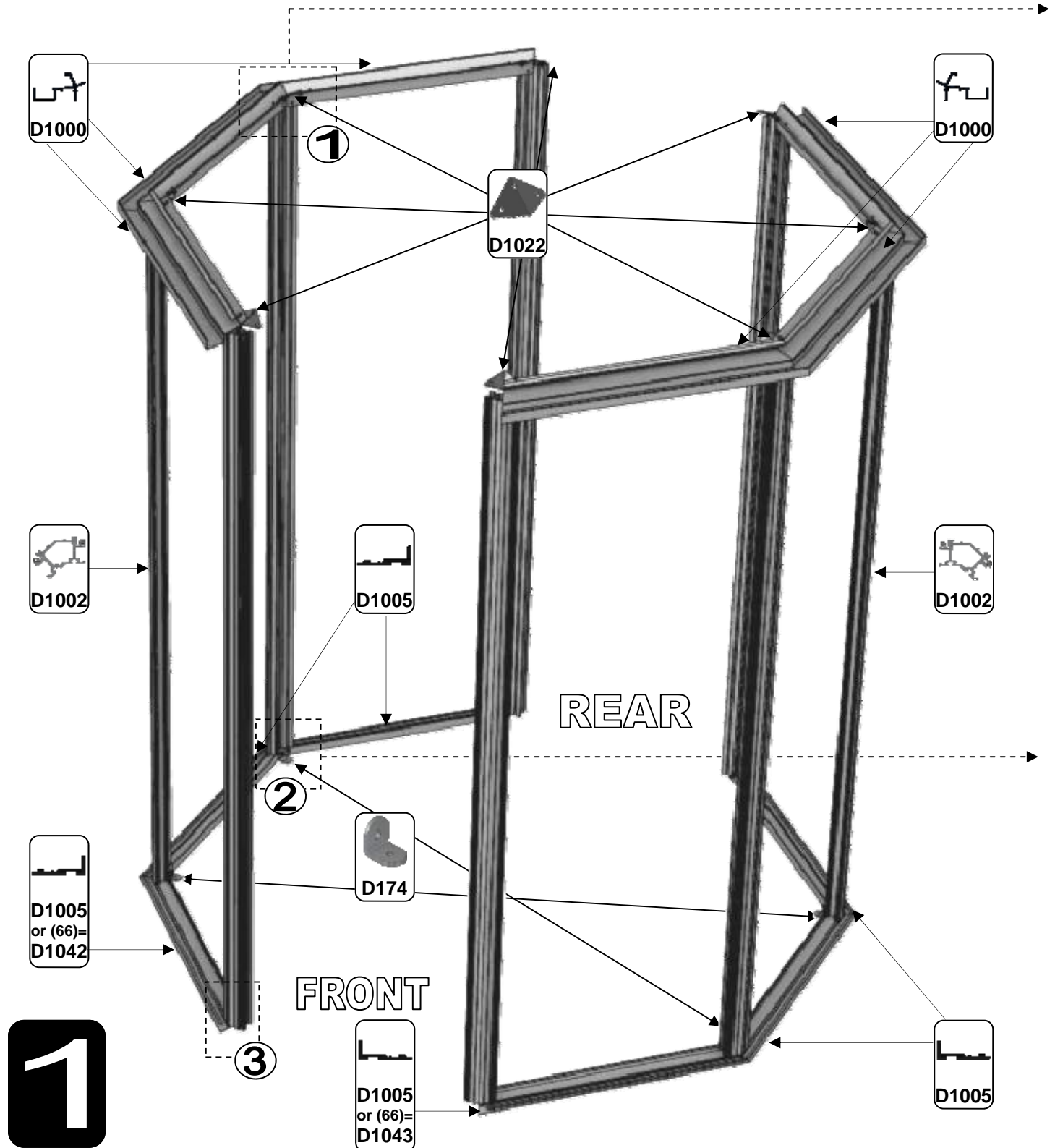
**IMPORTANT:** Do not anchor your greenhouse down until it is fully assembled including glazing unless you are 100% sure your base is square and level. If not your glass will not fit properly.



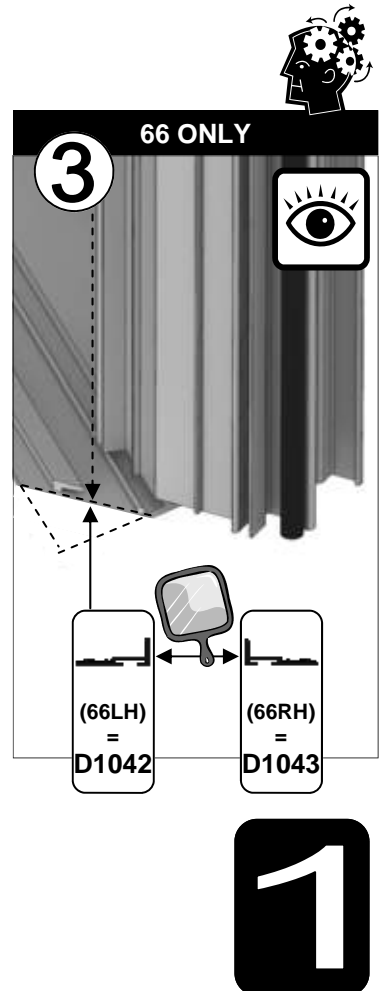
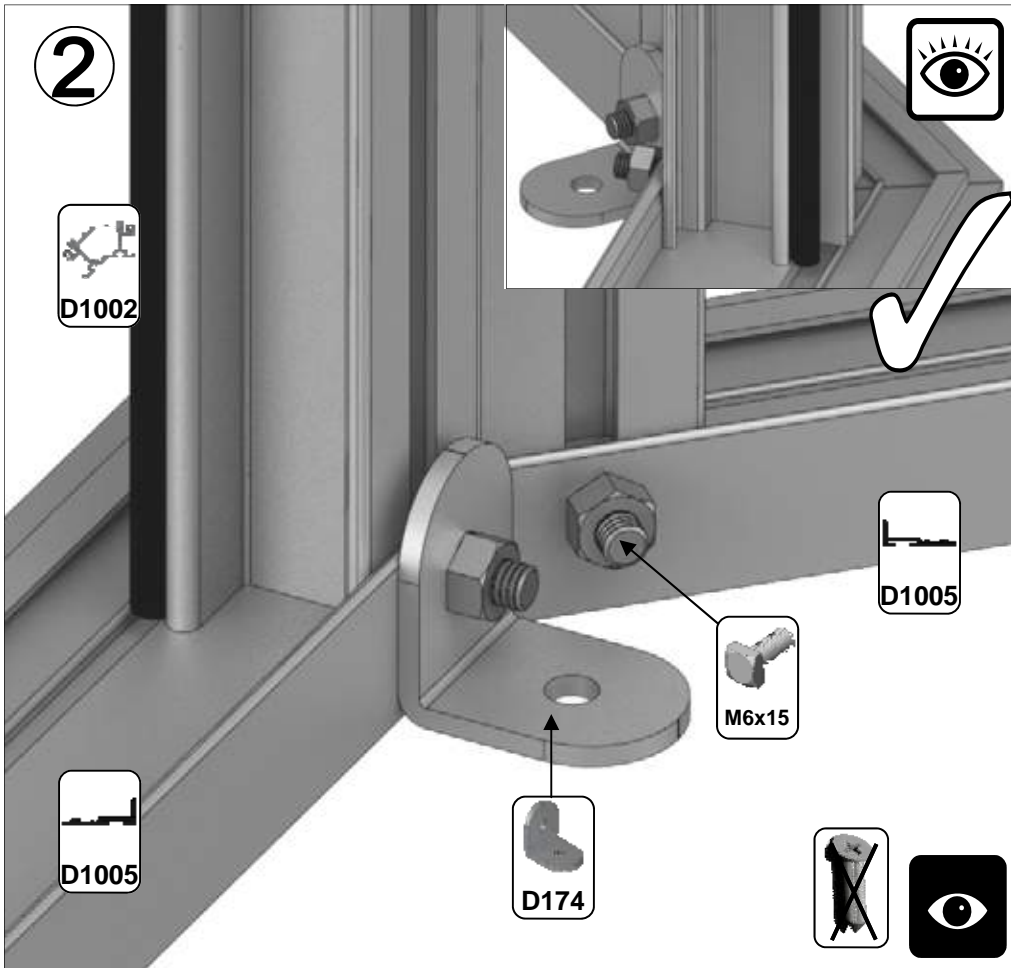
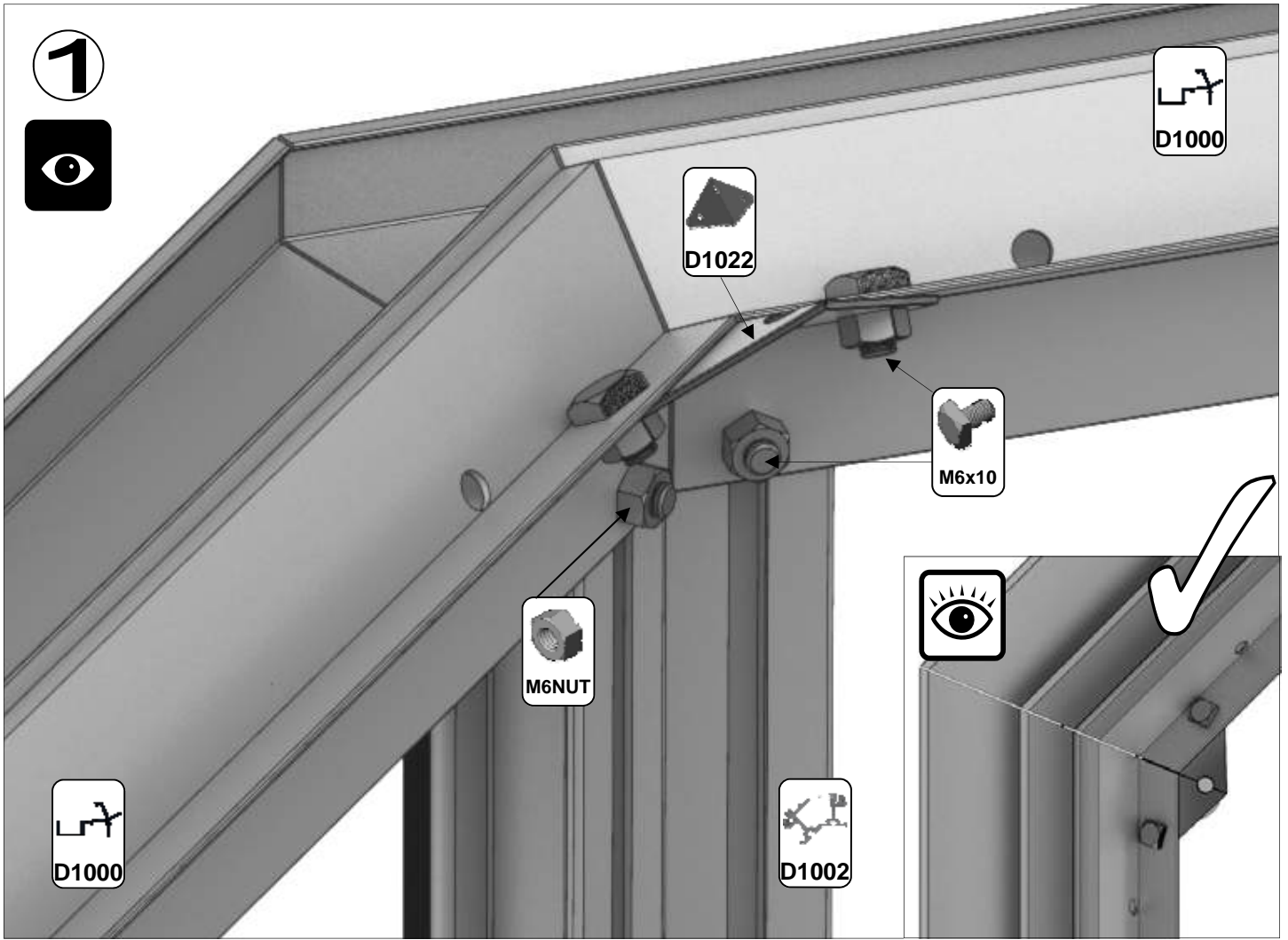


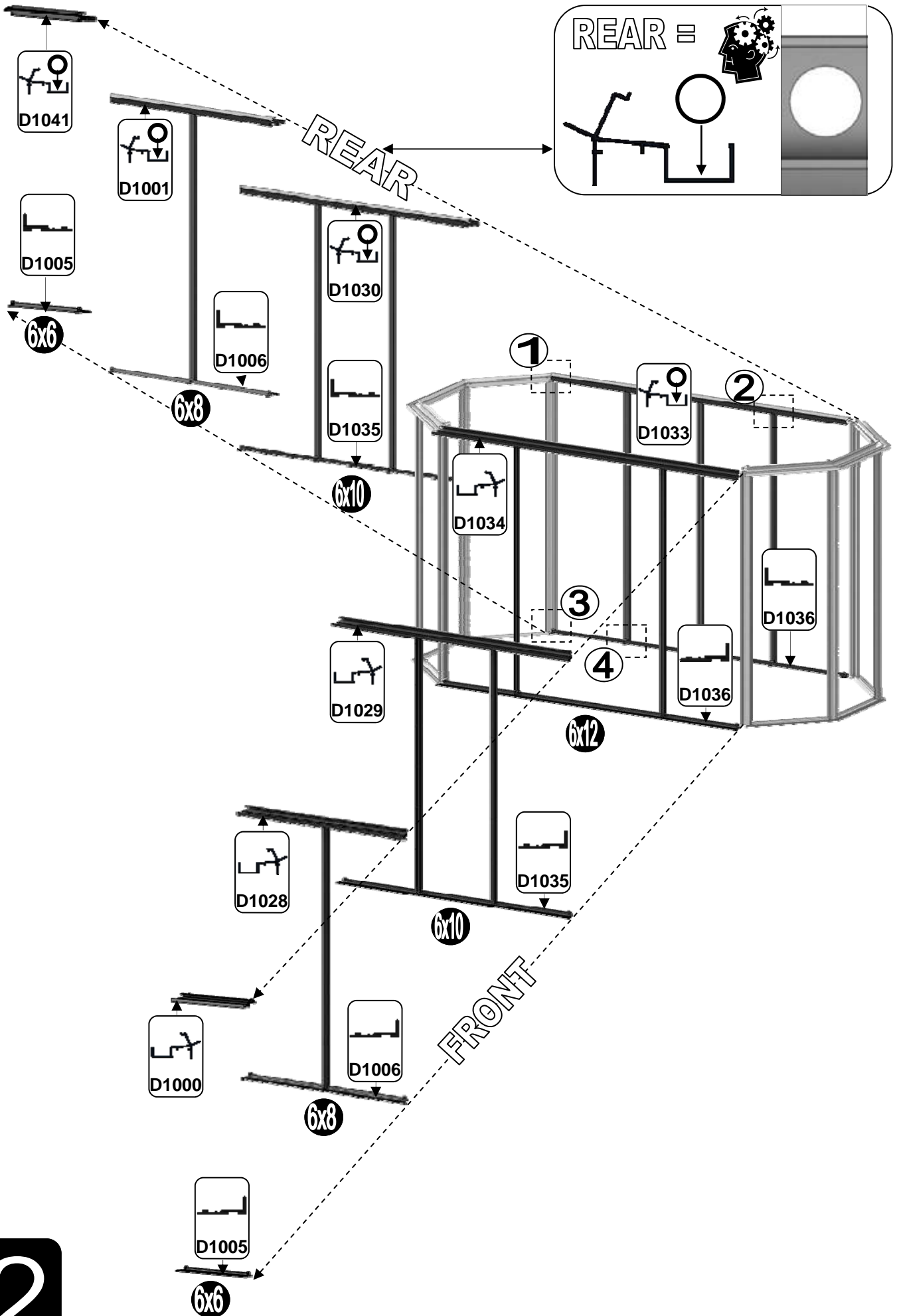
		6	6	6	6
		X	X	X	X
		6	8	10	12
Part No		mm	Quantity		
D1005		700	4	6	
D1042 (LH)		700	1		
D1043 (RH)		700	1		
D1000		726	6		
D1002		1930	8		

Part No		mm	Quantity
D1022		N/A	8
RUBBER		1000 (1m)	16
D174		N/A	4
M6X10		10	24
M6X15		15	12
M6NUT		N/A	36













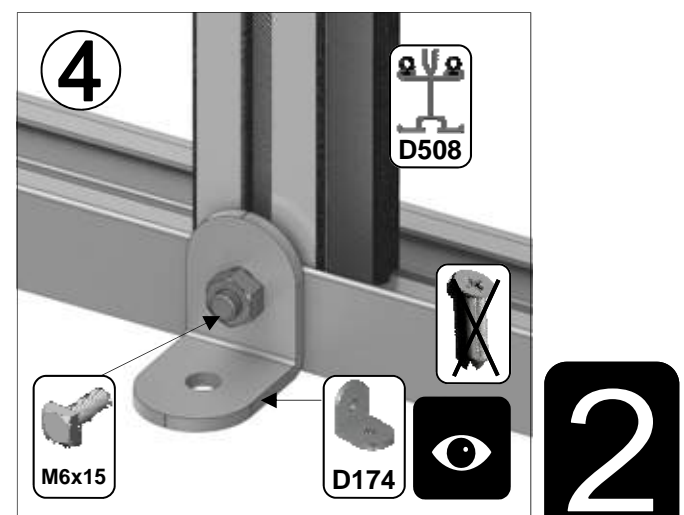
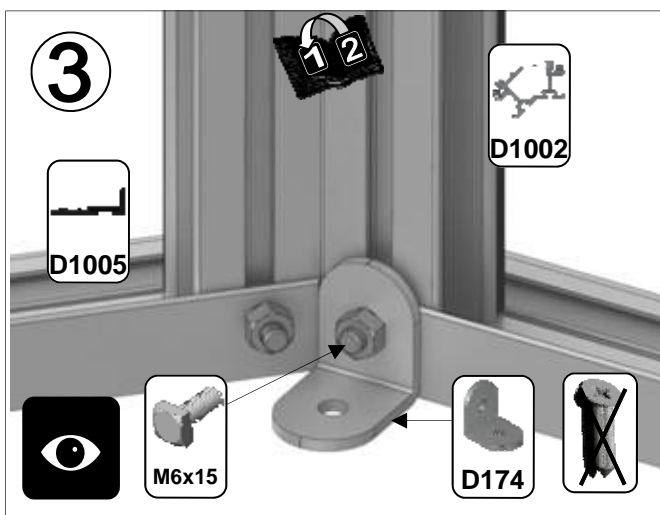
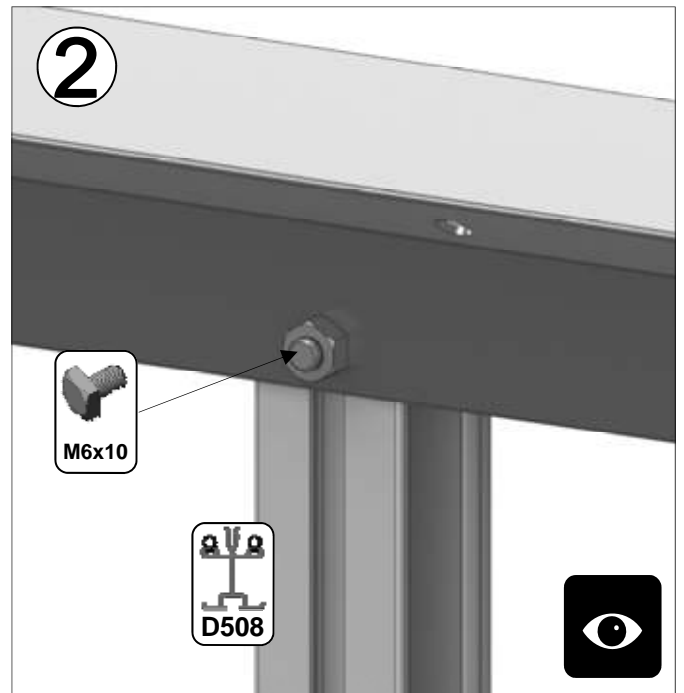
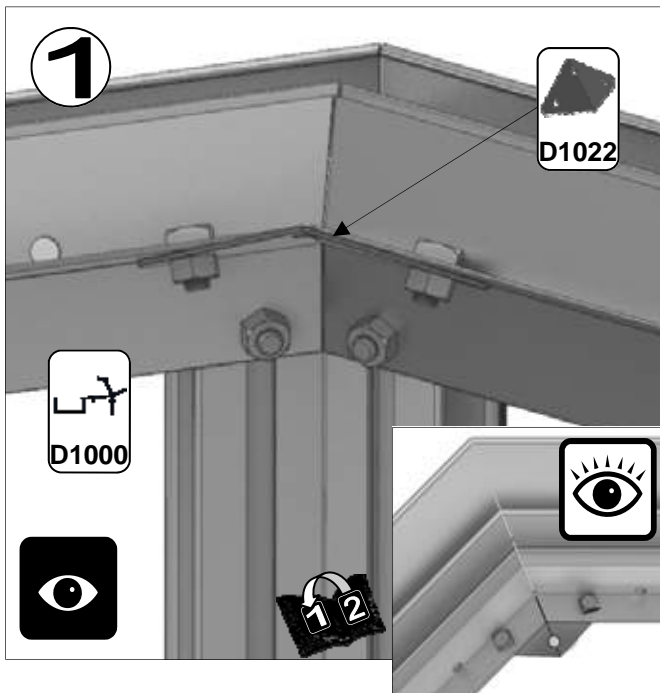
**2**

6x6		
		
Part No	mm	Quantity
D174	N/A	4
D1000	726	1
D1005	700	2
D1041	726	1
M6X10	10	8
M6X15	15	4
M6NUT	N/A	12

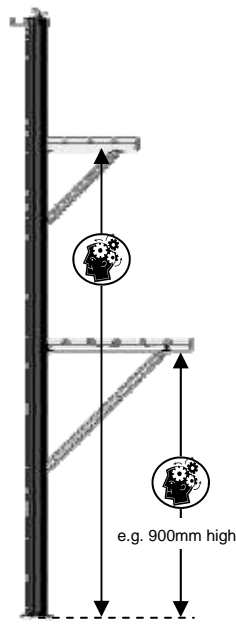
6x8		
		
Part No	mm	Quantity
D174	N/A	6
D508	1930	2
D1001	1347	1
D1006	1321	2
D1028	1347	1
RUBBER	1000	8
M6X10	10	10
M6X15	15	6
M6NUT	N/A	16

6x10		
		
Part No	mm	Quantity
D174	N/A	8
D508	1930	4
D1029	1966	1
D1030	1966	1
D1035	1941	2
RUBBER	1000	16
M6X10	10	12
M6X15	15	8
M6NUT	N/A	20

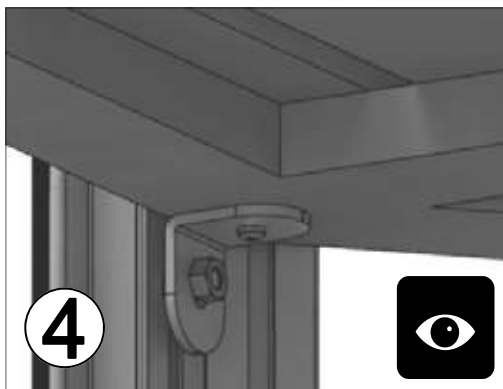
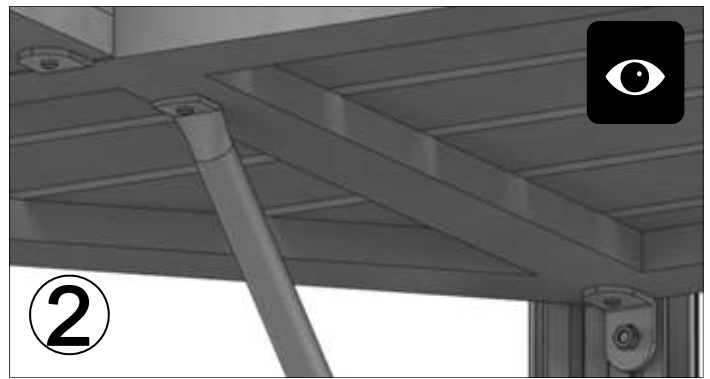
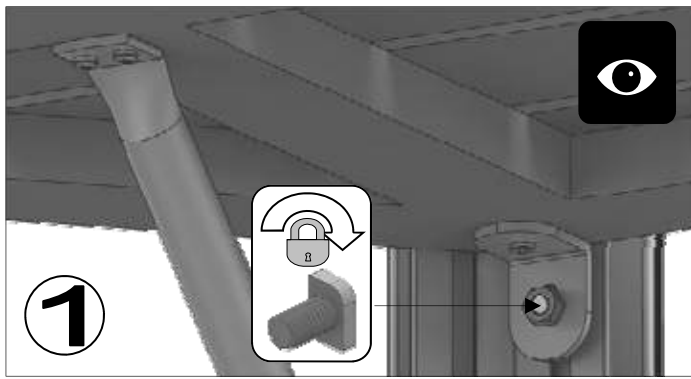
6x12		
		
Part No	mm	Quantity
D174	N/A	9
D508	1930	5
D1033	2586	1
D1034	2586	1
D1036	2561	2
RUBBER	1000	20
M6X10	10	13
M6X15	15	9
M6NUT	N/A	22



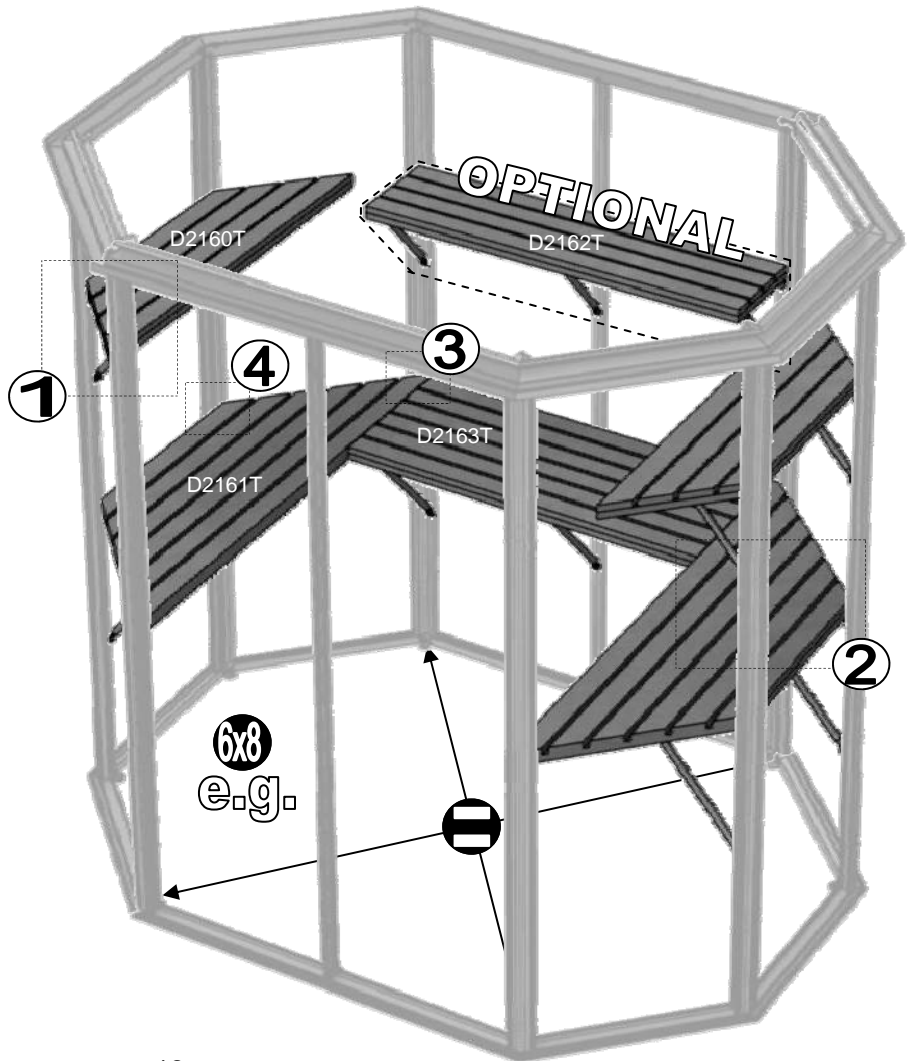
Part No	mm	Quantity			
		16	17	18	19
D174	N/A	6	6	6	6
SC105	10	x	x	x	x
D256	19	6	8	10	12
D243	19				
D2042	600				
D2014	385				



Part No	WOODEN DESCRIPTION	Quantity			
		6	8	10	12
D2160T	OCT SHELF	6	6	6	6
D2161T	OCT STAGE	x	x	x	x
D2169T	6' RECT STAGE	6	8	10	12
D2163T	8' RECT STAGE				
D2165T	10' RECT STAGE				
D2167T	12' RECT STAGE				
D2168T	OPTIONAL 6' SHELF	1	0	0	0
D2162T	OPTIONAL 8' SHELF	0	1	0	0
D2164T	OPTIONAL 10' SHELF	0	0	1	0
D2166T	OPTIONAL 12' SHELF	0	0	0	1

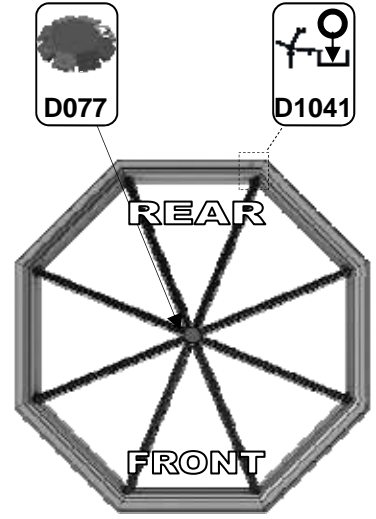
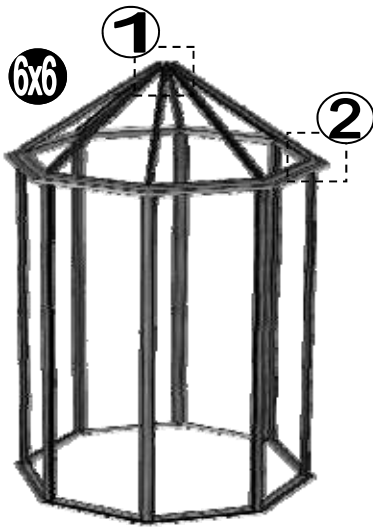


**3**

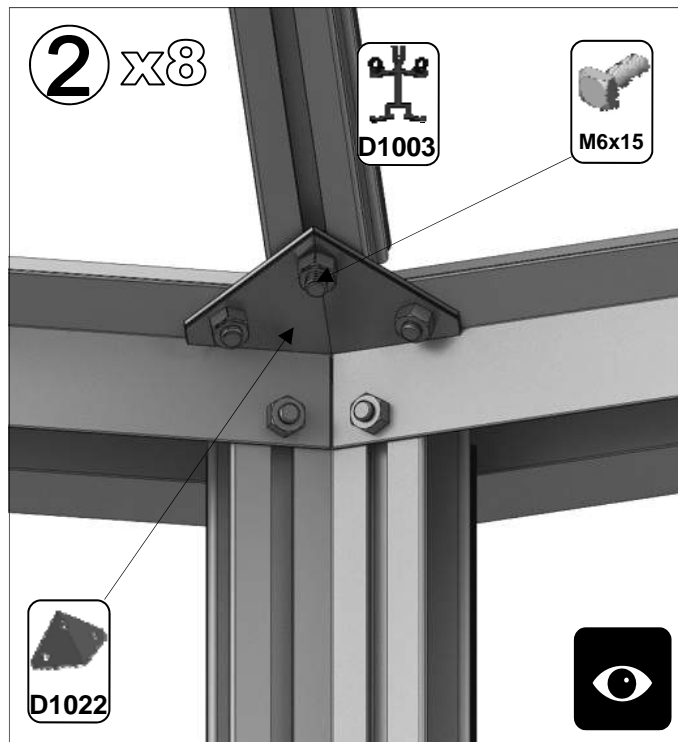
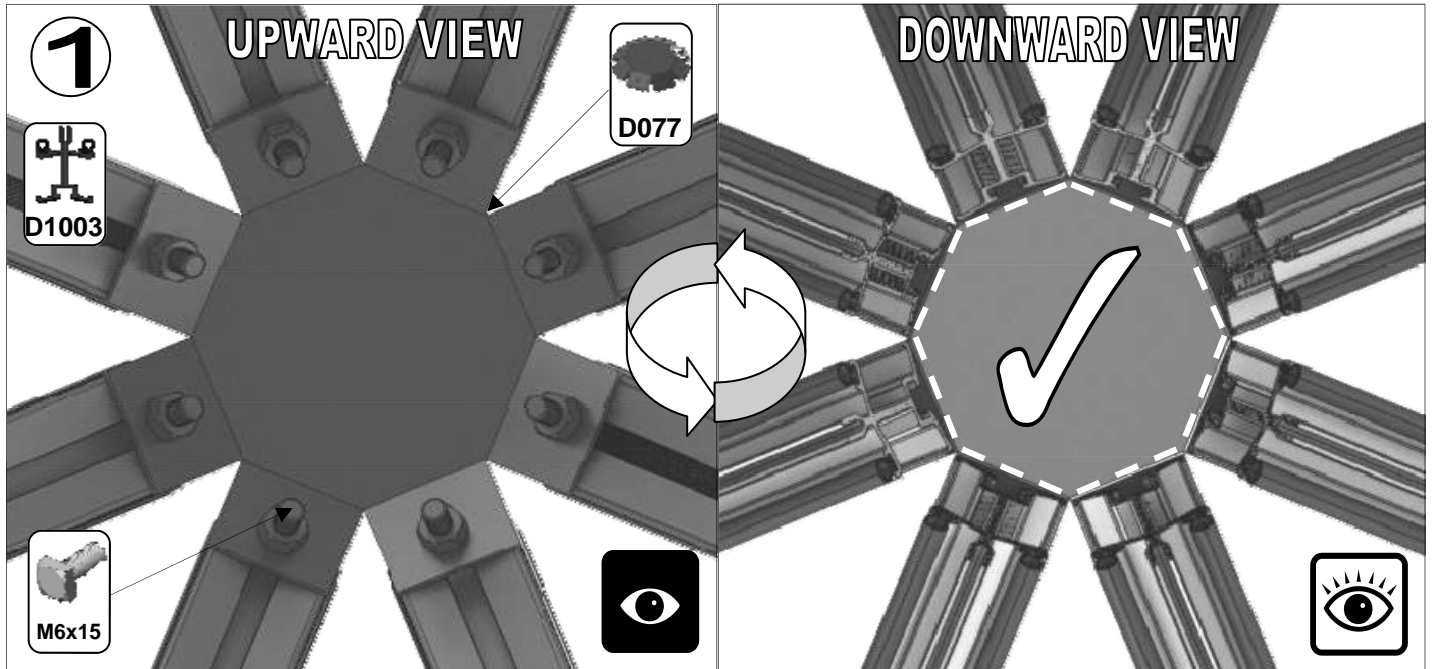


# 6x6

Turn page for other Sizes (6x8, etc..)



Part No	mm	Quantity
D1003	952	8
D077	N/A	1
RUBBER	1000	16
M6X15	15	16
M6NUT	N/A	16



**4** (6x6only)  
pto for other sizes

**6x8**



**6x10**



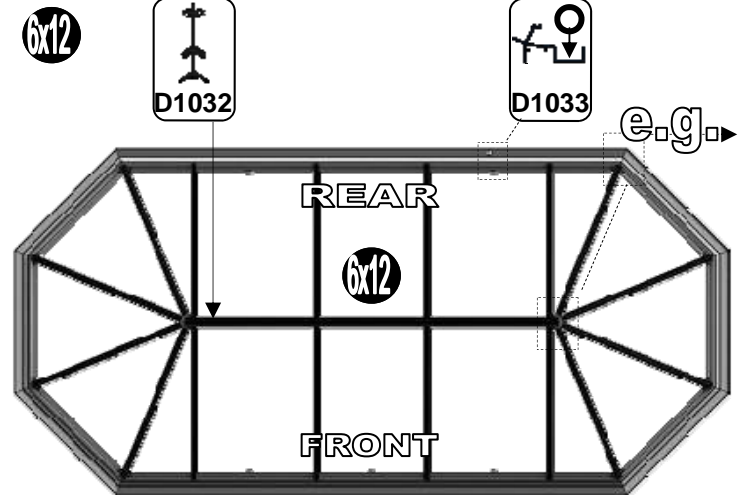
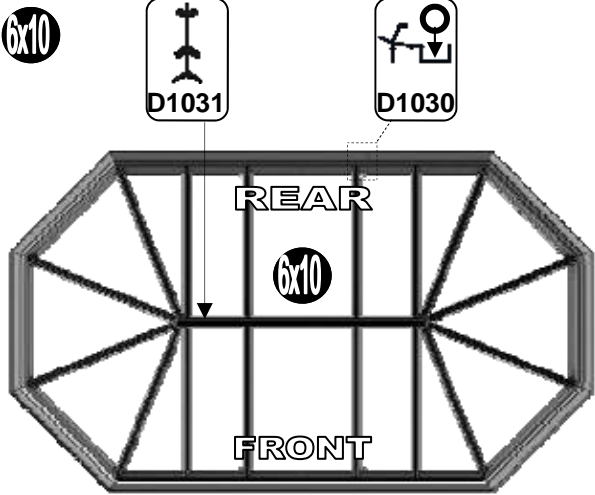
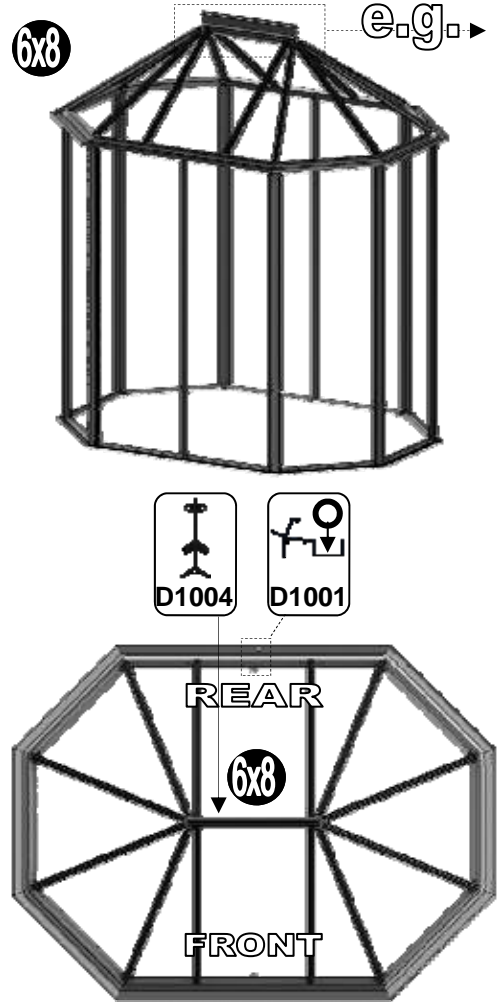
**6x12**



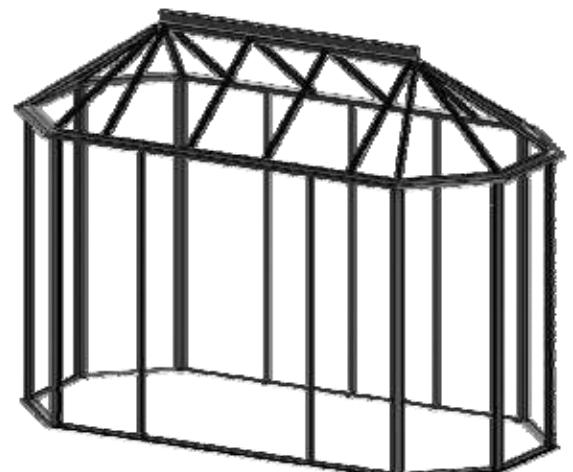
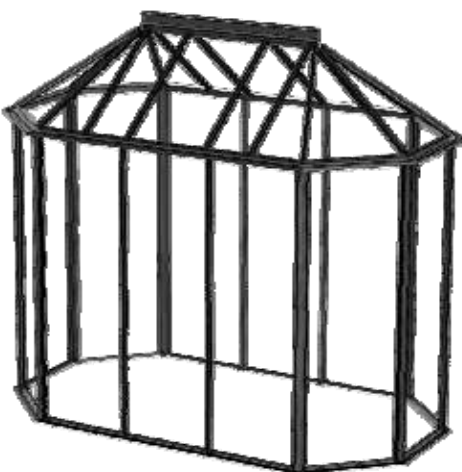
Part No	mm	Quan.
D1003	965	8
D1004	650	1
D1007	955	4
D1021	N/A	2
D1037	16	2
F5003	22	4
F5006	M6	4
RUB-BER	1000	24
M6X10	10	8
M6X15	15	16
M6NUT	N/A	24

Part No	mm	Quan.
D1003	965	8
D1031	1270	1
D1007	955	8
D1021	N/A	2
D1037	16	2
F5003	22	4
F5006	M6	4
RUB-BER	1000	32
M6X10	10	16
M6X15	15	16
M6NUT	N/A	32

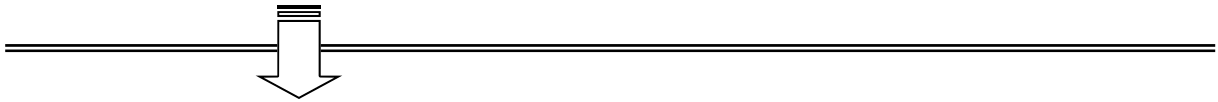
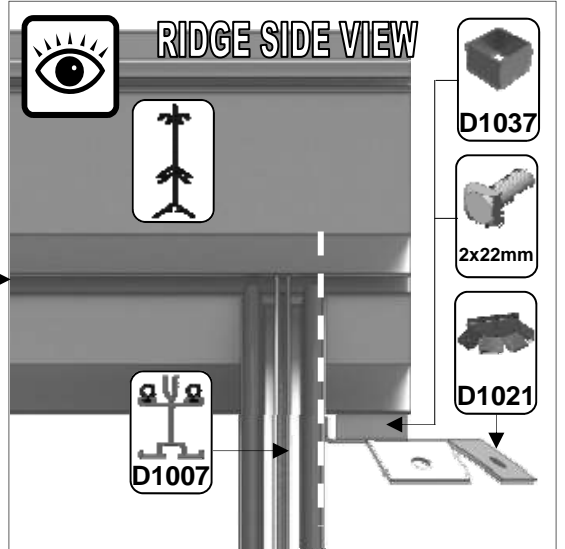
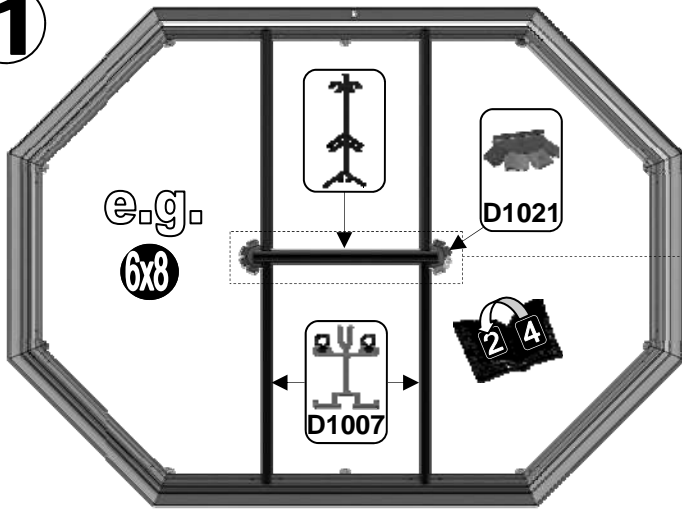
Part No	mm	Quan.
D1003	965	8
D1032	1890	1
D1007	955	8
D1021	N/A	2
D1037	16	2
F5003	22	4
F5006	M6	4
RUB-BER	1000	32
M6X10	10	16
M6X15	15	16
M6NUT	N/A	32



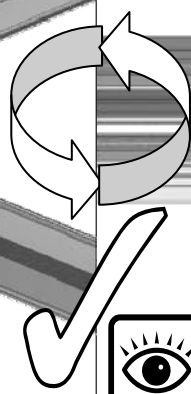
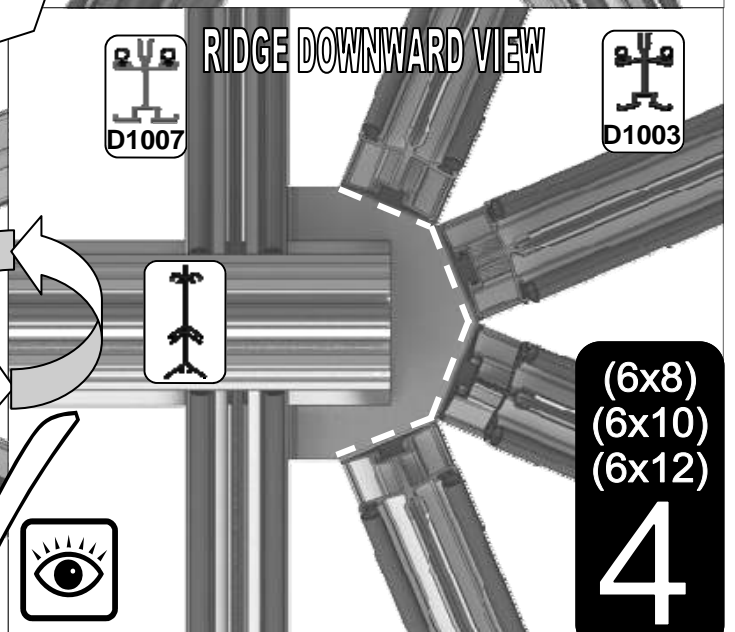
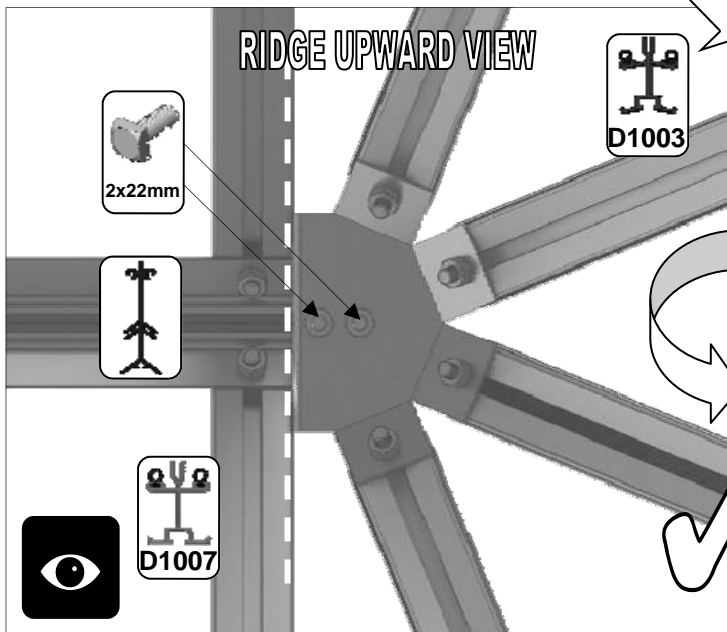
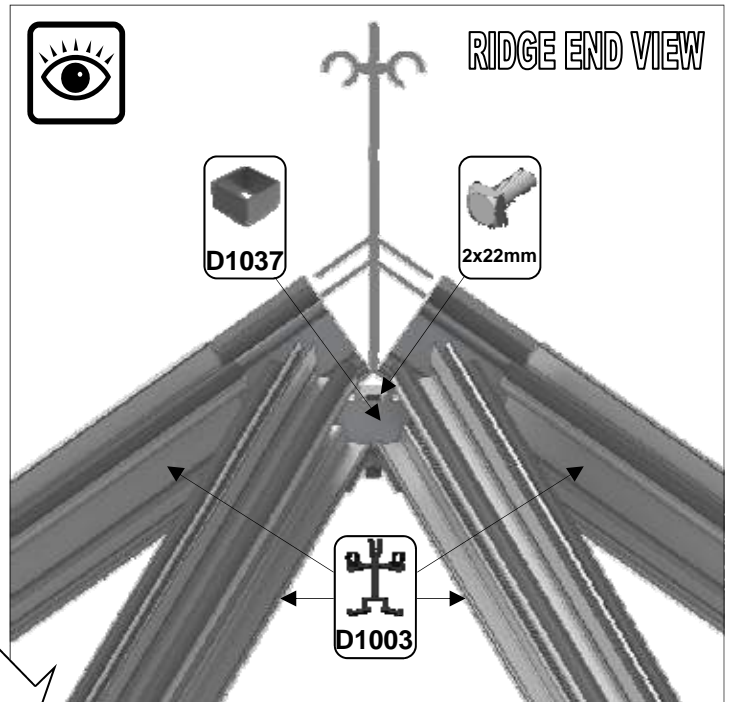
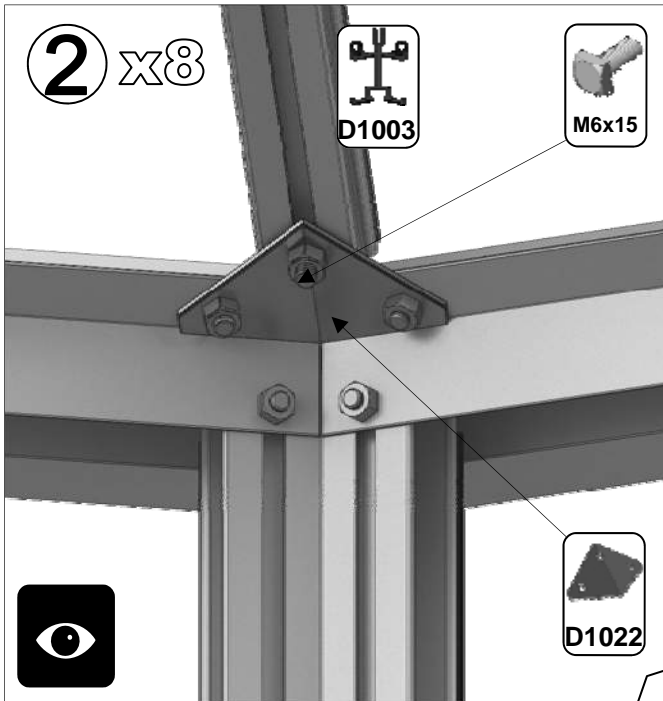
(6x8)  
(6x10)  
(6x12)  
**4**



1

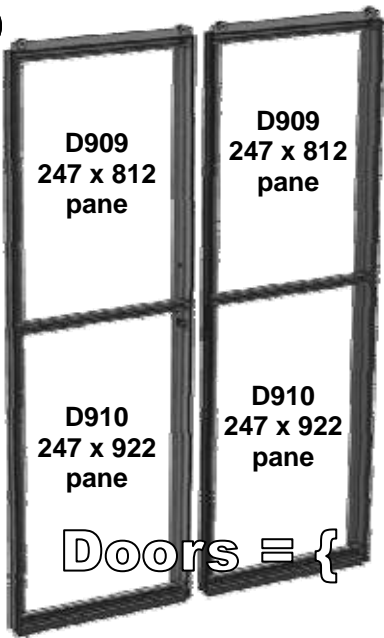


2 x8



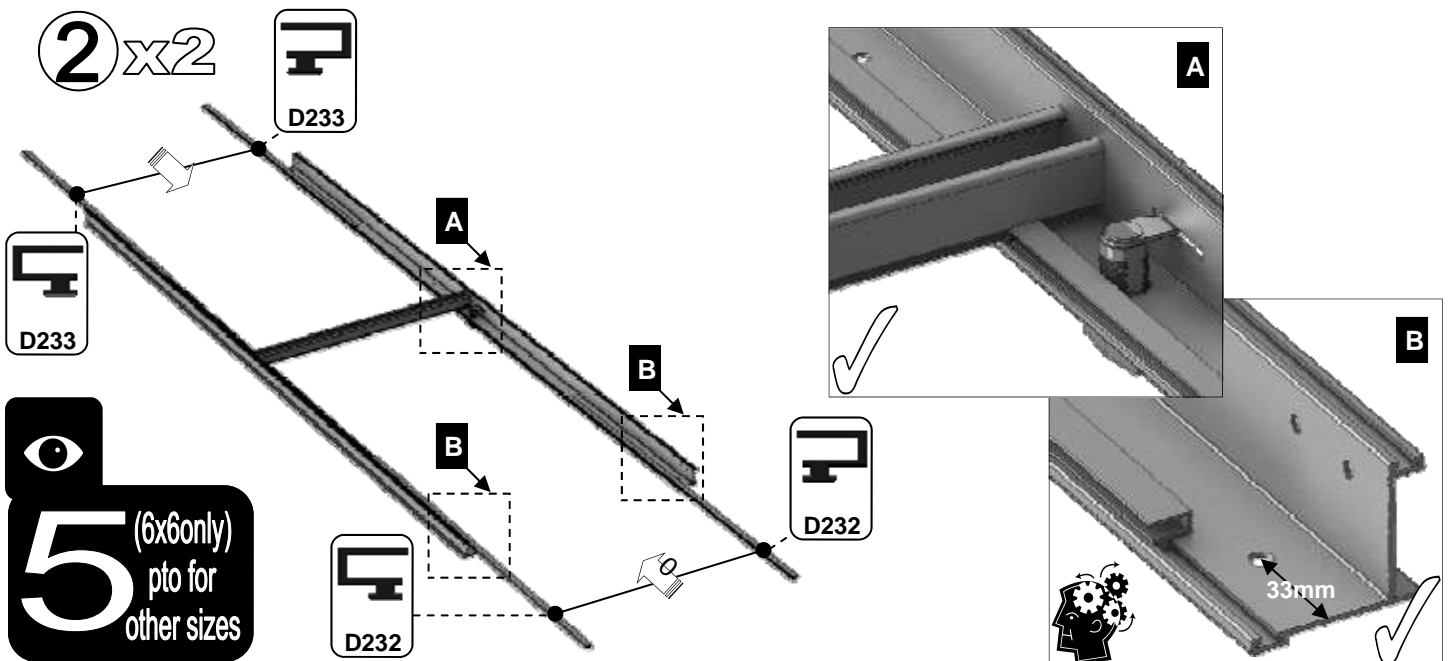
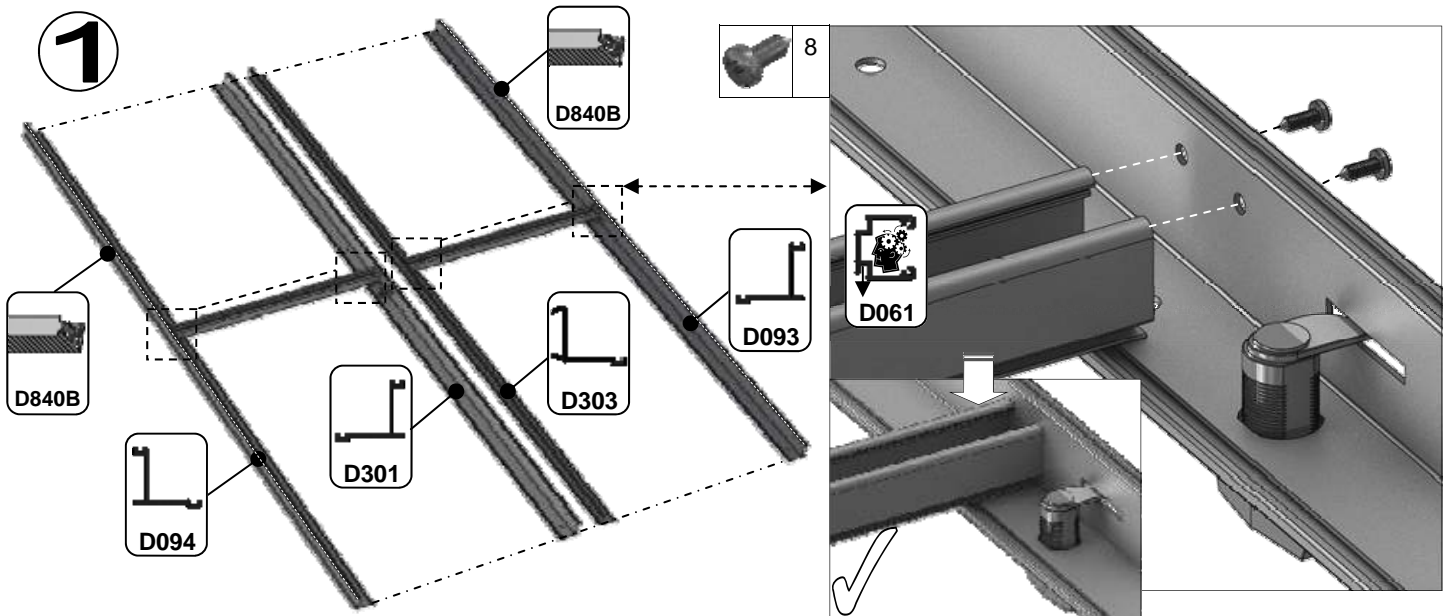
(6x8)  
(6x10)  
(6x12)  
**4**

6x6

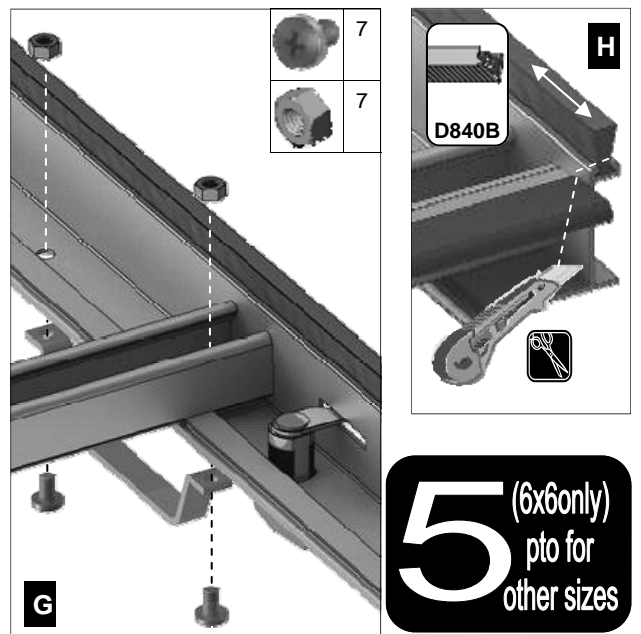
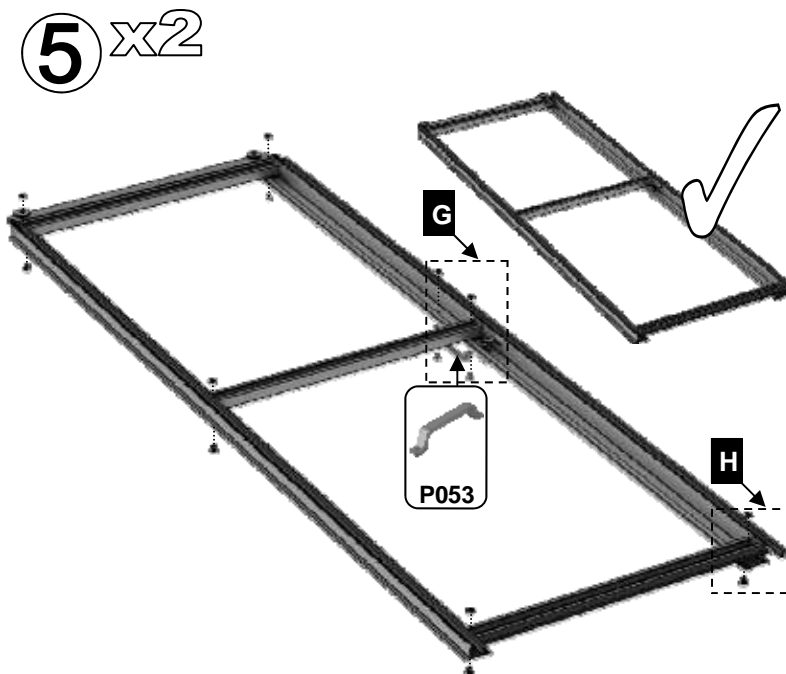
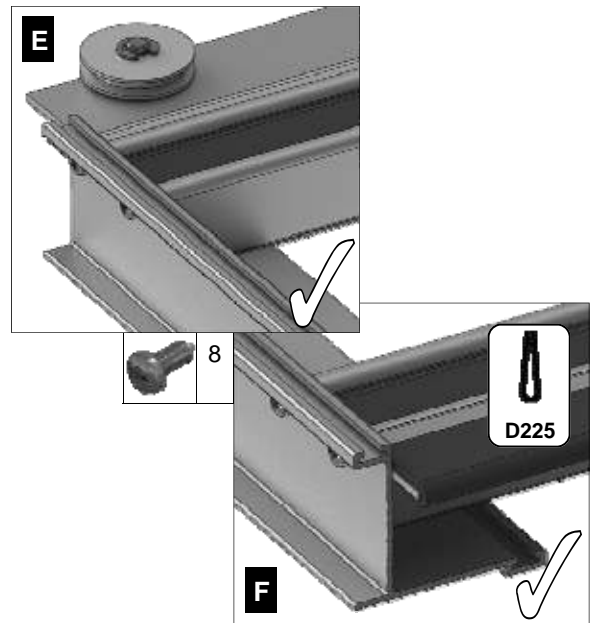
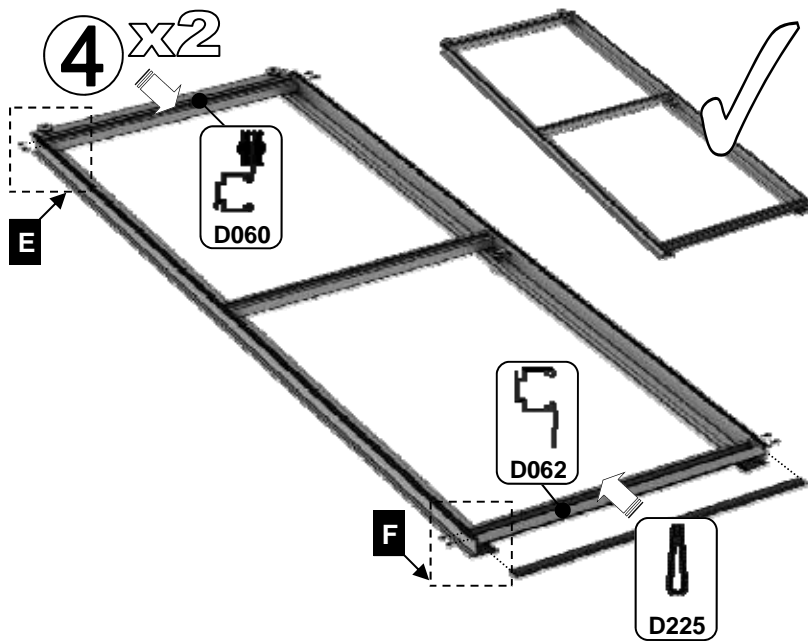
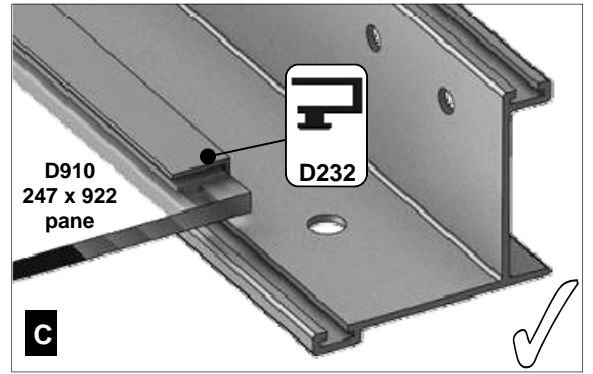
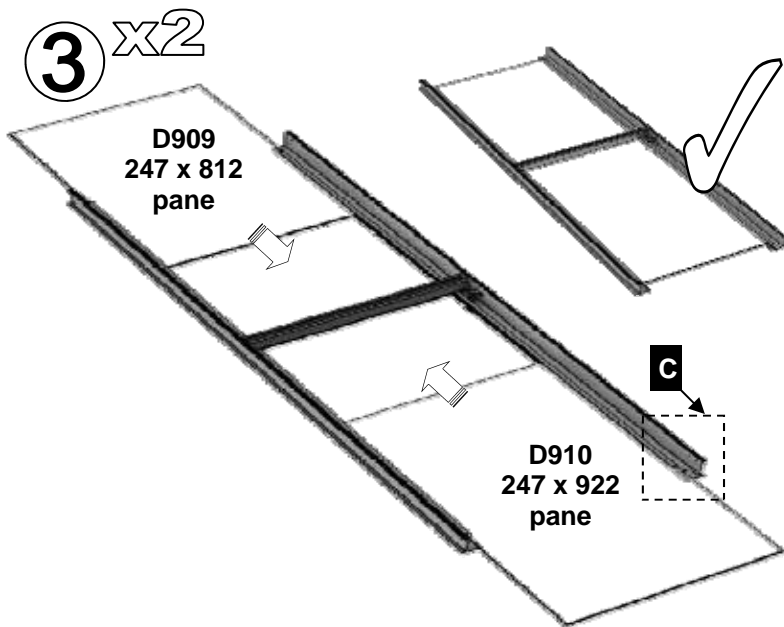


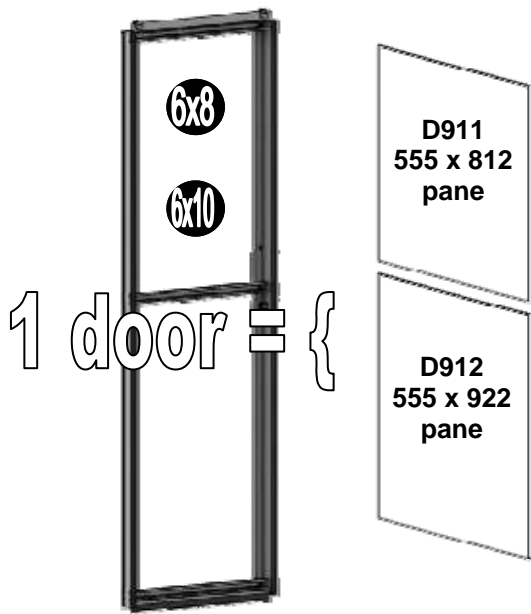
Part No		mm	Q
D094		1824	1
D090 + D347 lock = D301		1824	1
D092 + D156 strike = D303		1824	1
D093		1824	1
D059+D217 wheel = D060		305	2
D061		305	2
D062		305	2

Part No		mm	Q
D232		905	4
D233		797	4
P053		N/A	2
D225		610 (cut 2 x 305)	1
D840B		4000	1
D263 PACK x 2			14
			14
D261 PACK			24



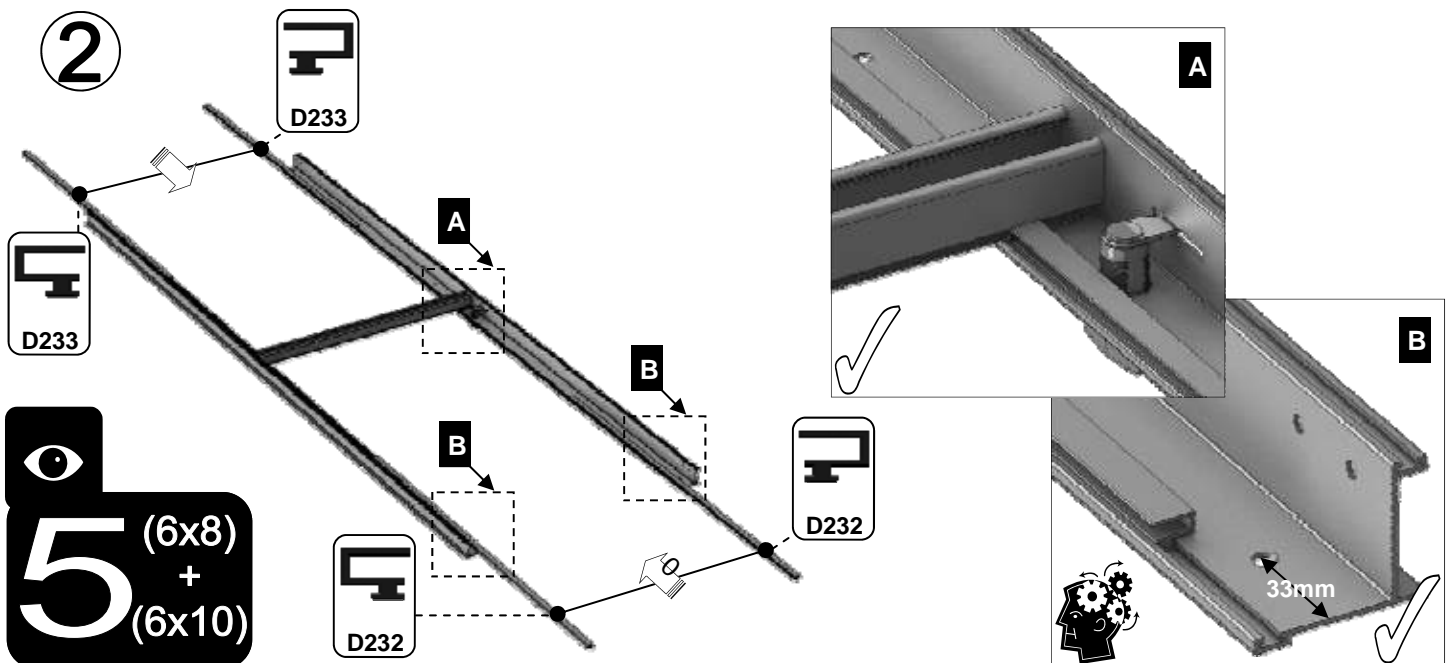
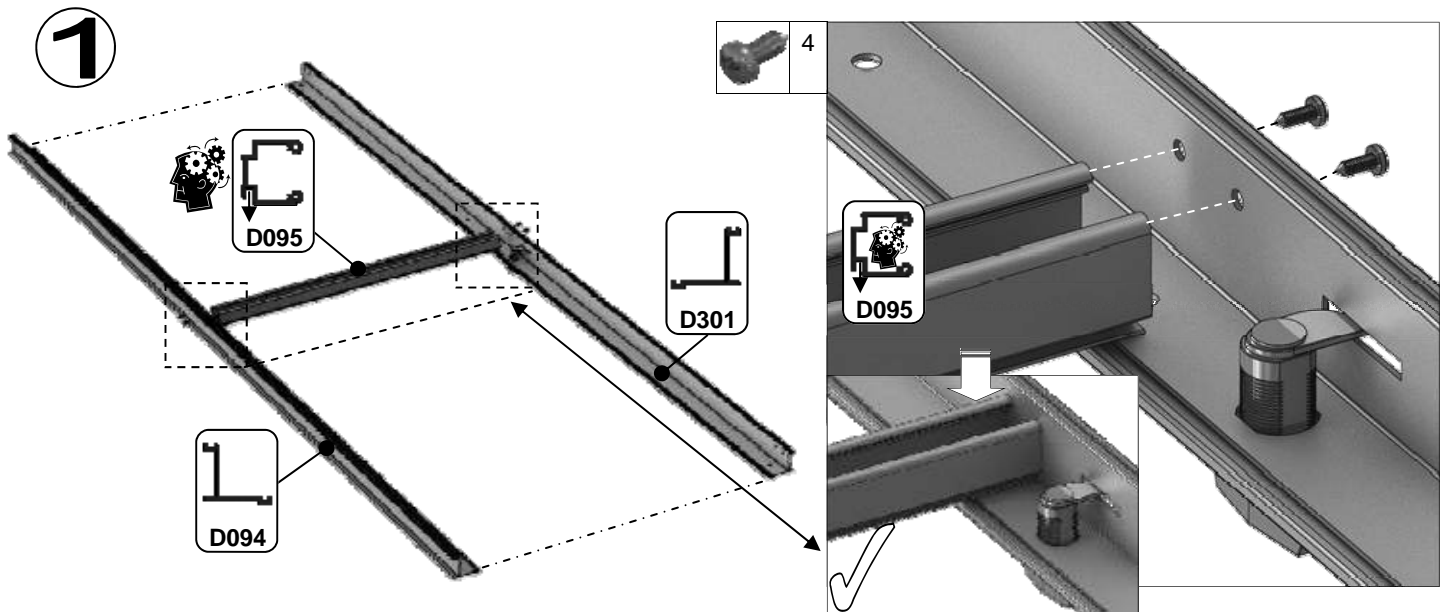


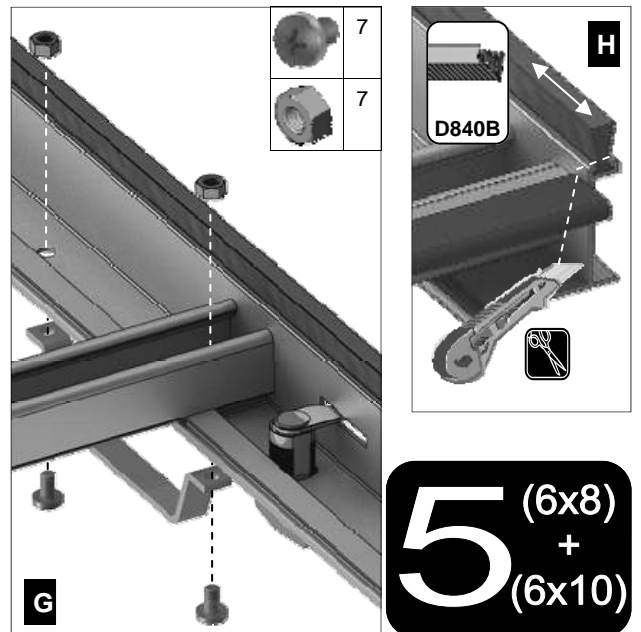
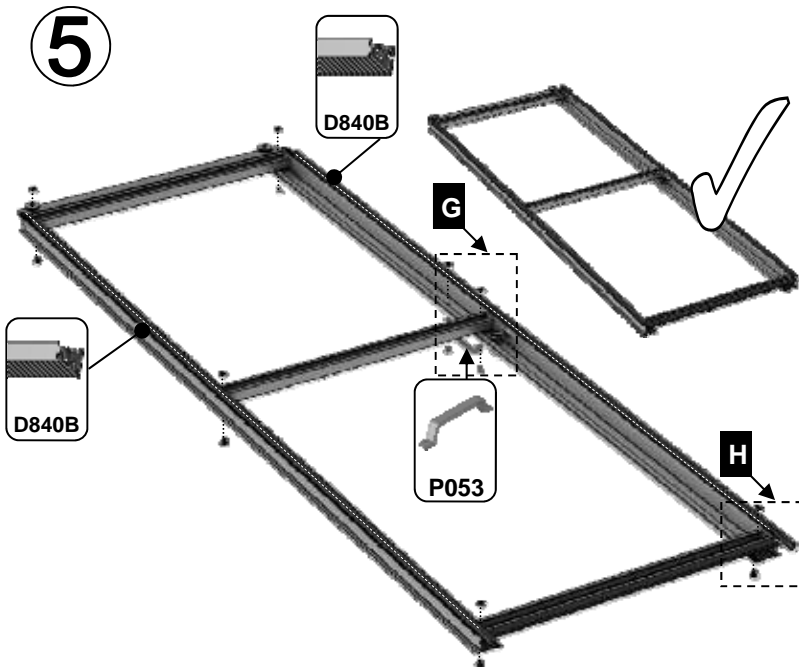
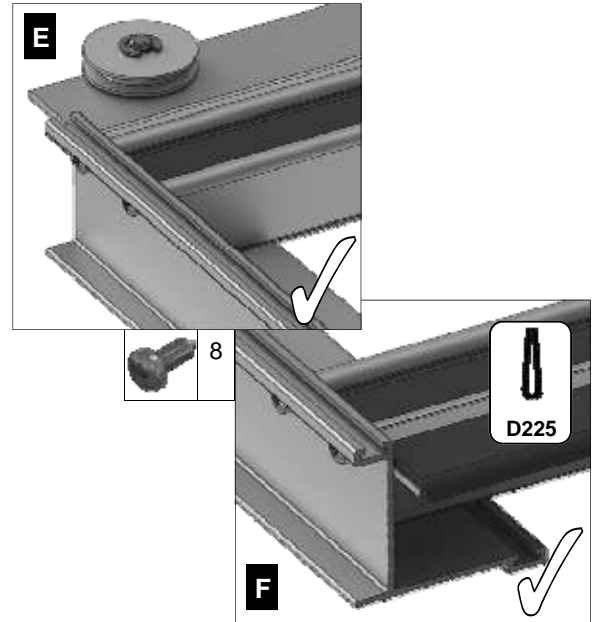
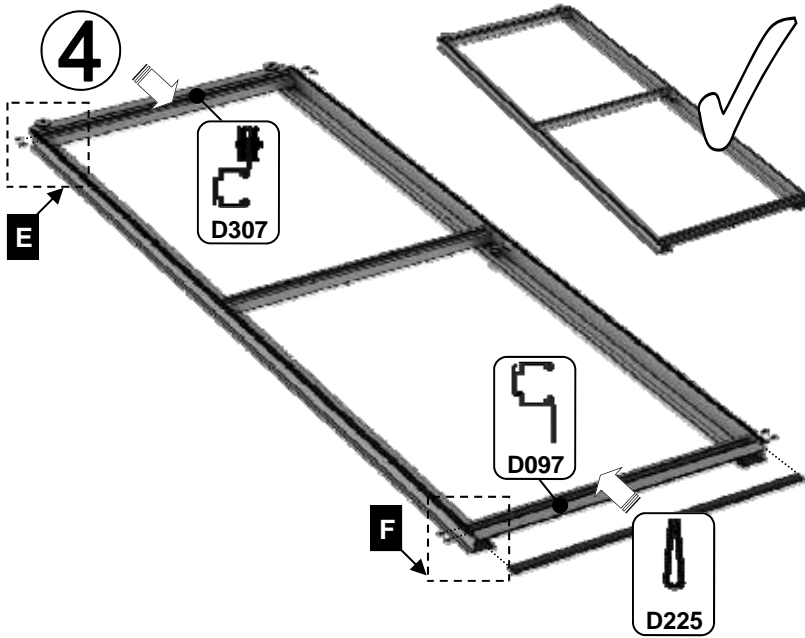
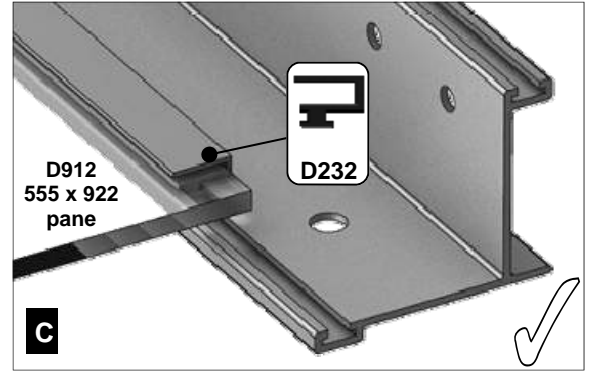
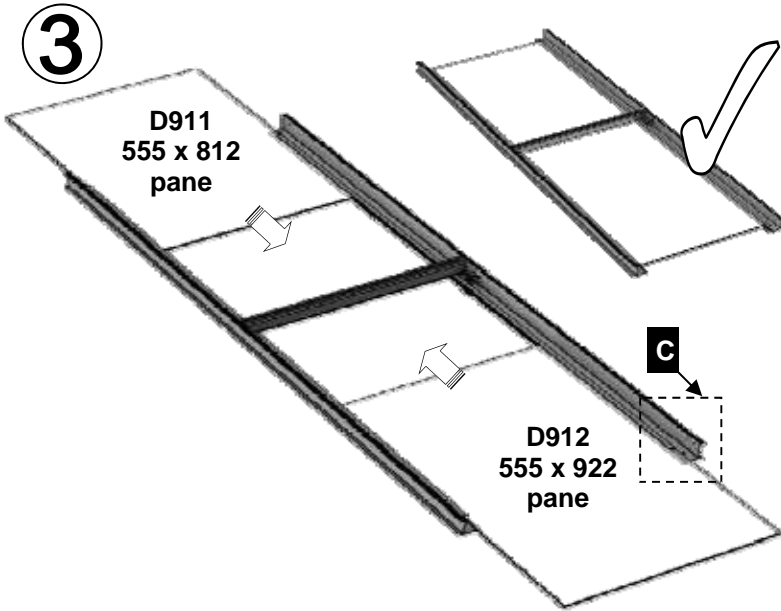




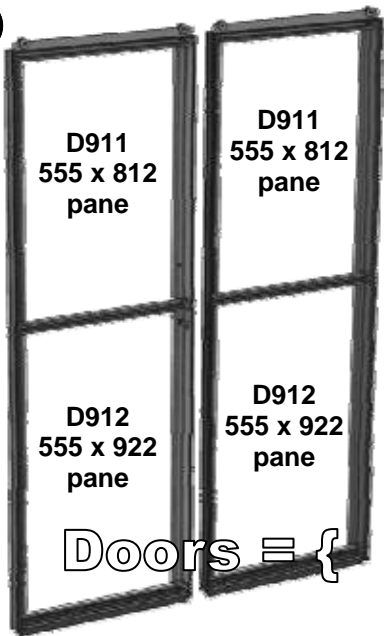
Part No		mm	Q
D090 + D347 lock = D301		1824	1
D094		1824	1
D096 + D217 wheel = D307		611	1
D095		611	1
D097		611	1

Part No		mm	Q
D232		905	2
D233		797	2
P053		N/A	1
D225		610	1
D840B		4000	1
D263 PACK			7
			7
D260 PACK			12





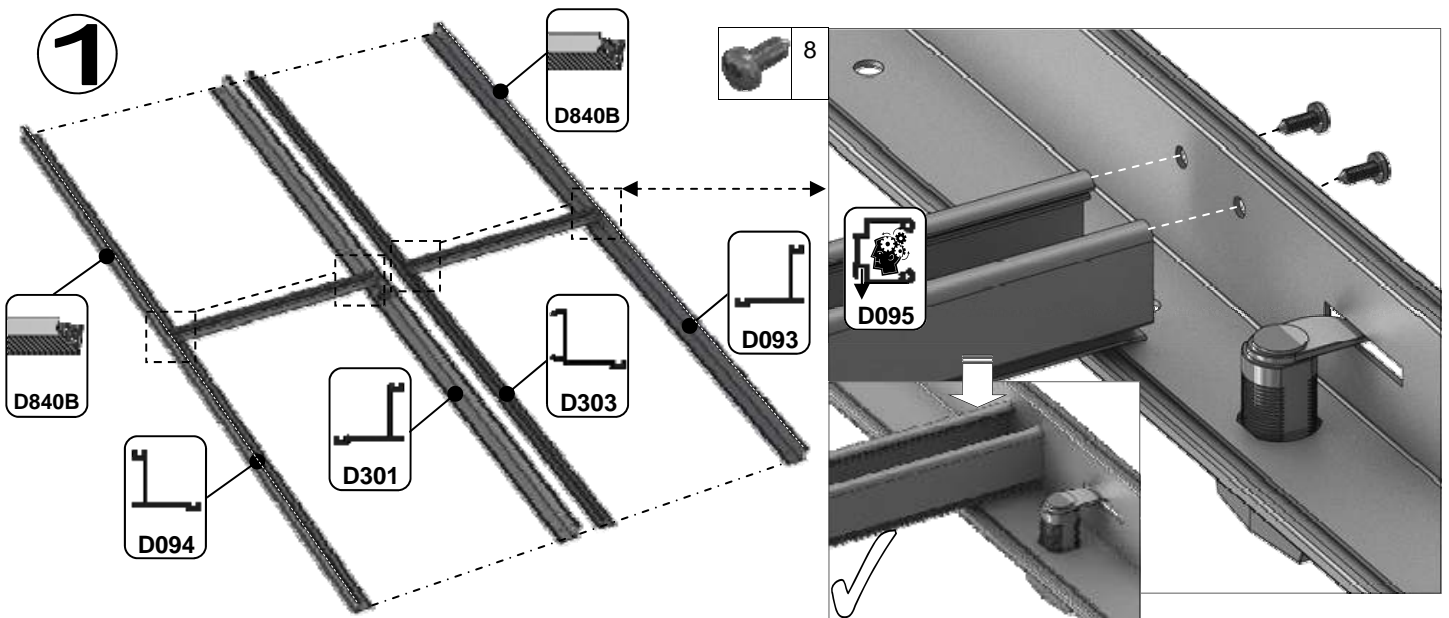
6x12



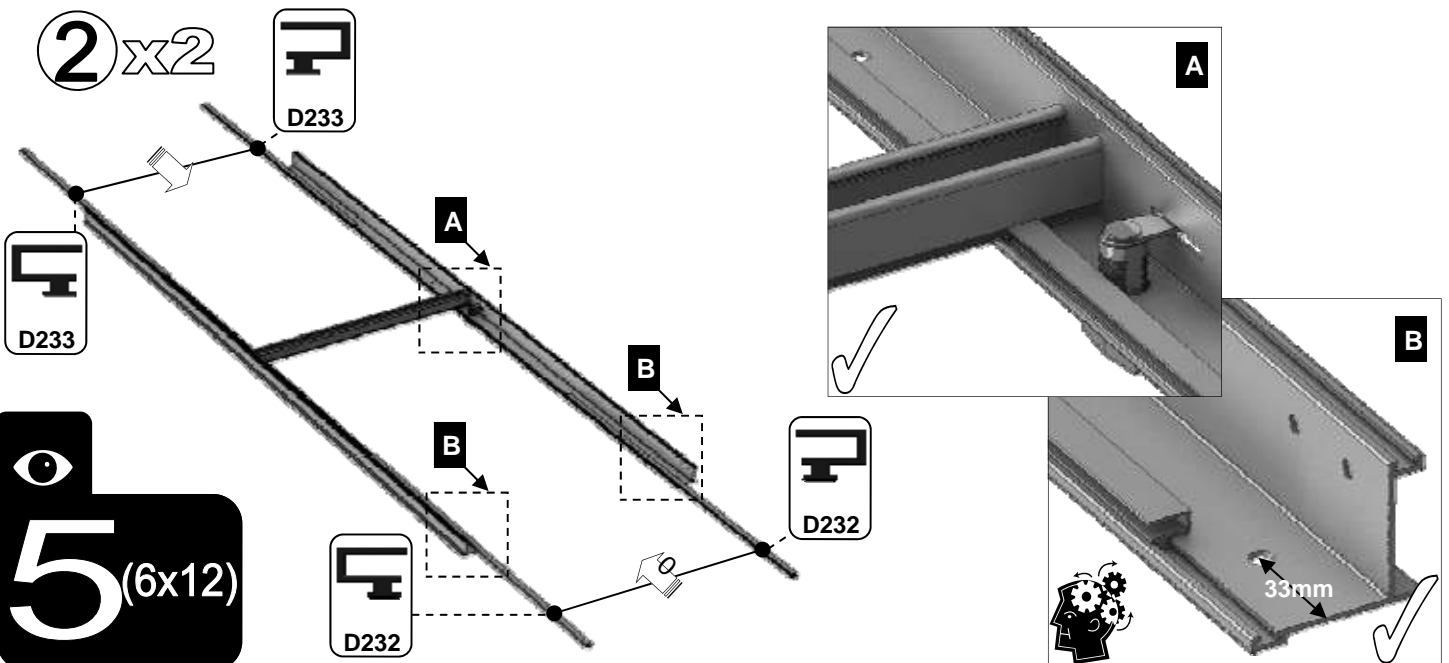
Part No		mm	Q
D094		1824	1
D090 + D347 lock = D301		1824	1
D092 + D156 strike = D303		1824	1
D093		1824	1
D096 + D217 wheel = D307		611	2
D095		611	2
D097		611	2

Part No		mm	Q
D232		905	4
D233		797	4
P053		N/A	2
D225		610	2
D840B		4000	1
D263 PACK x 2			14
			14
D261 PACK			24

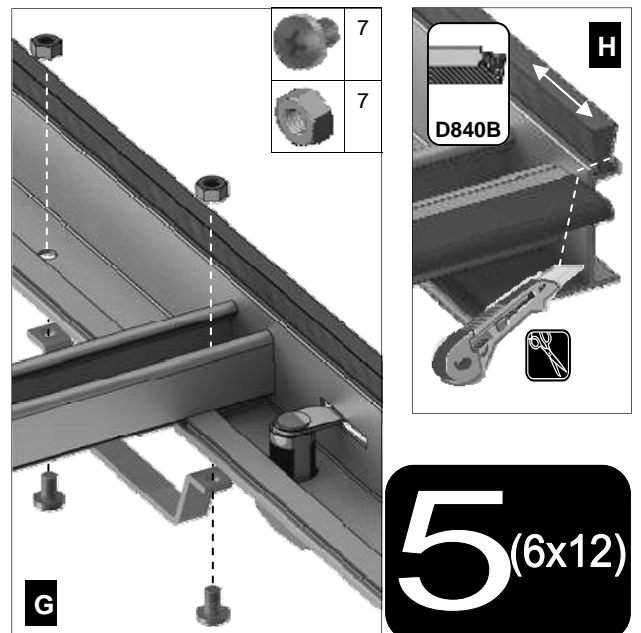
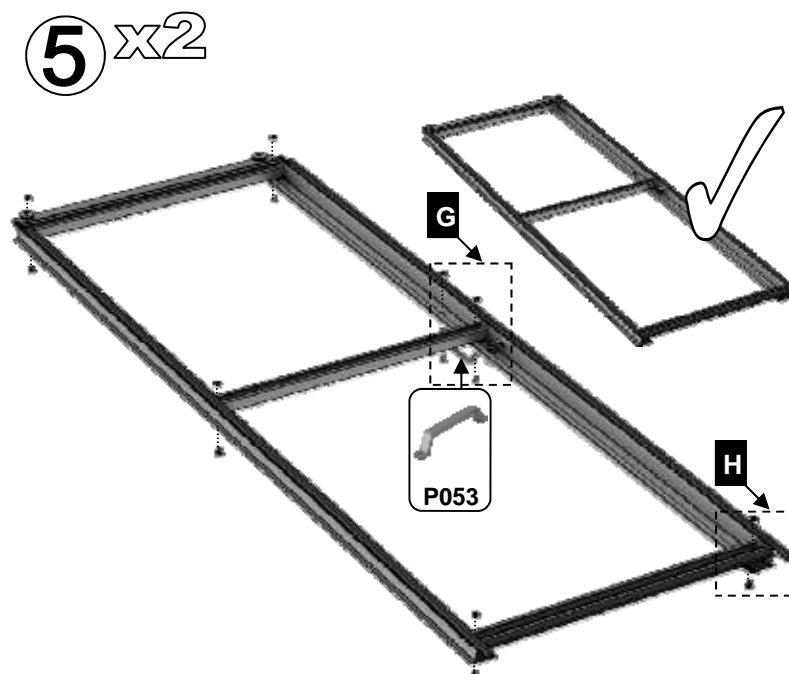
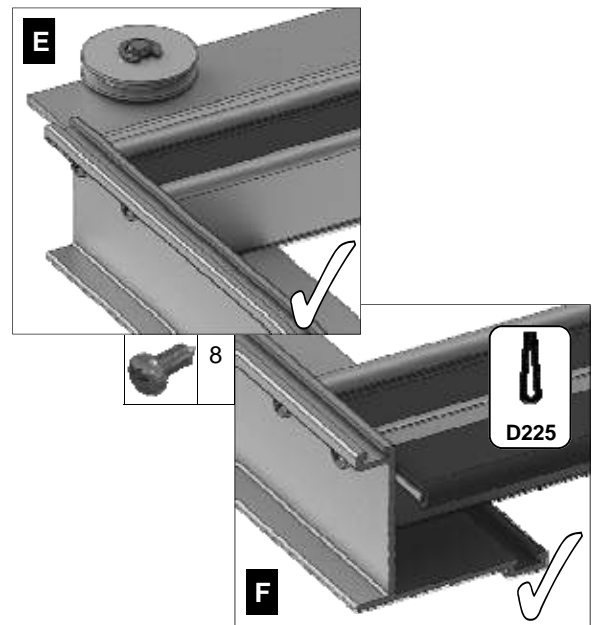
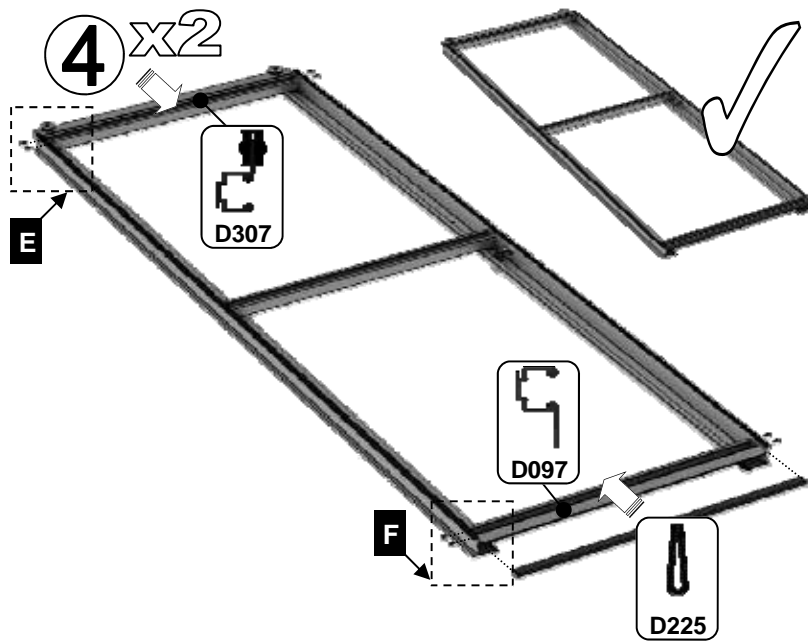
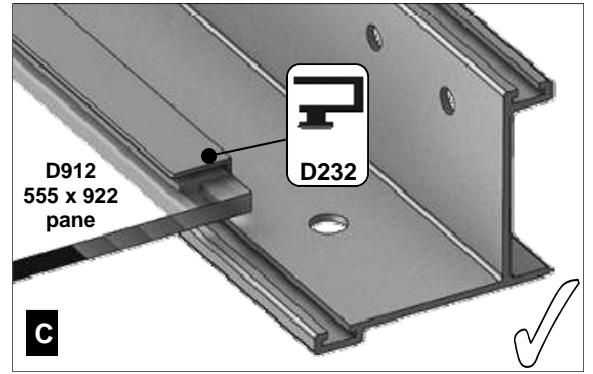
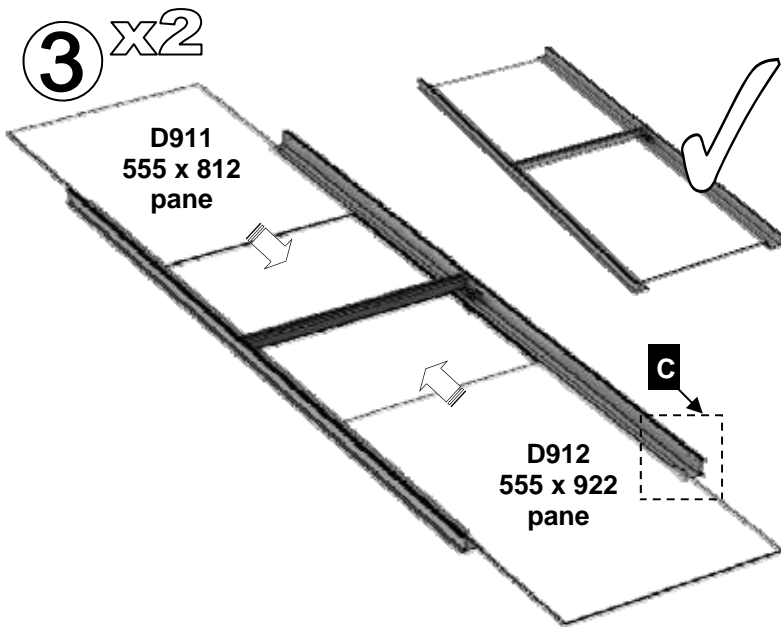
1



2 x 2



5 (6x12)



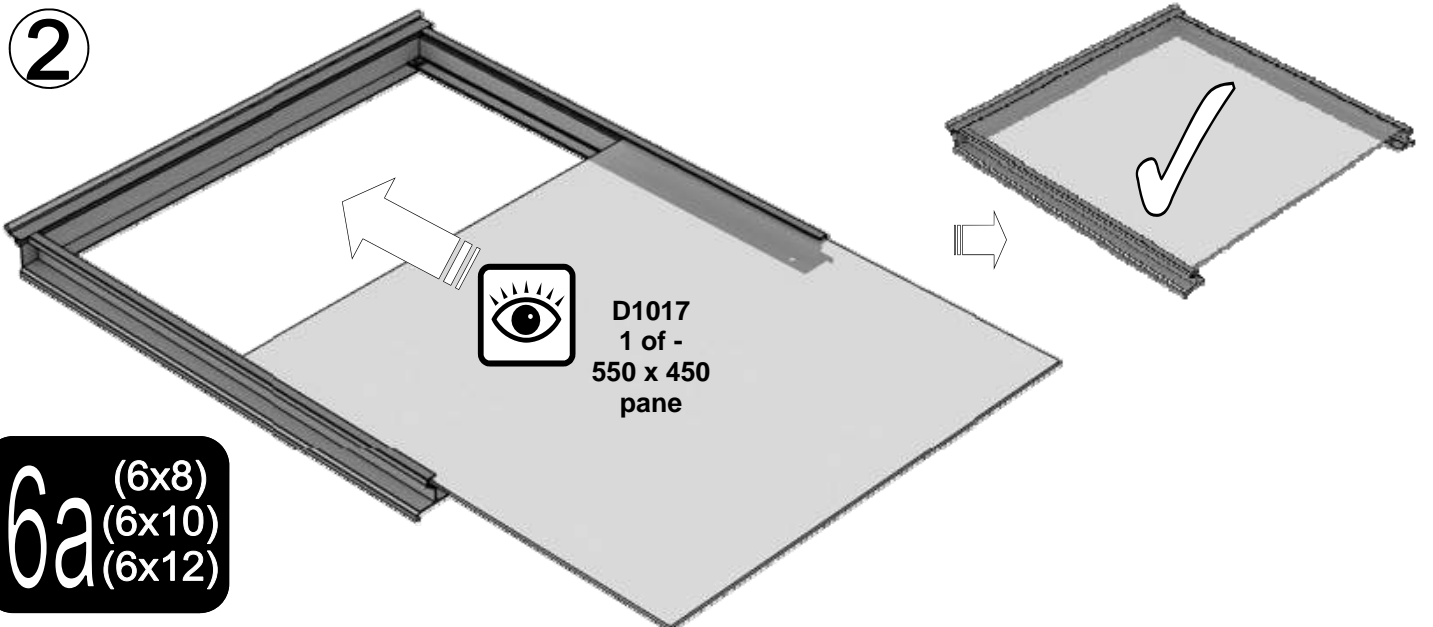
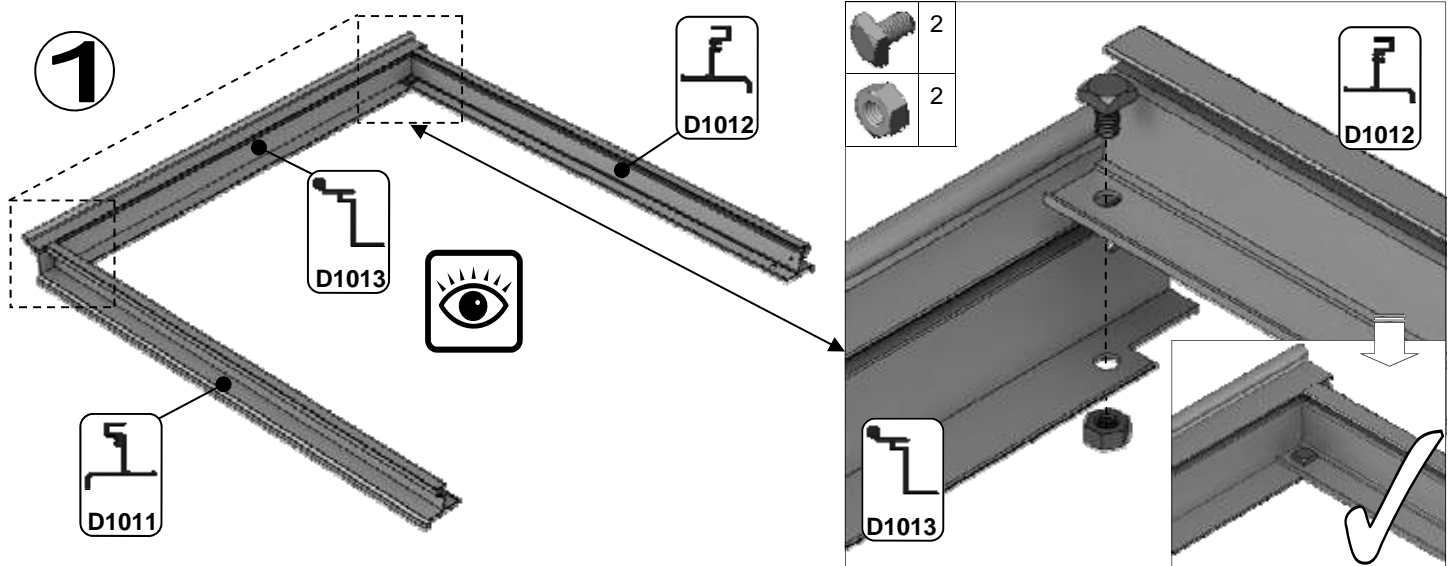
**5** (6x12)




D1017  
1 of -  
550 x 450  
pane

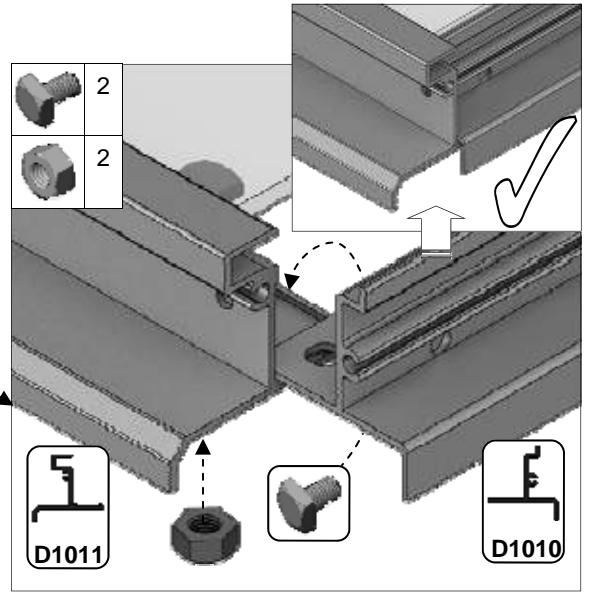
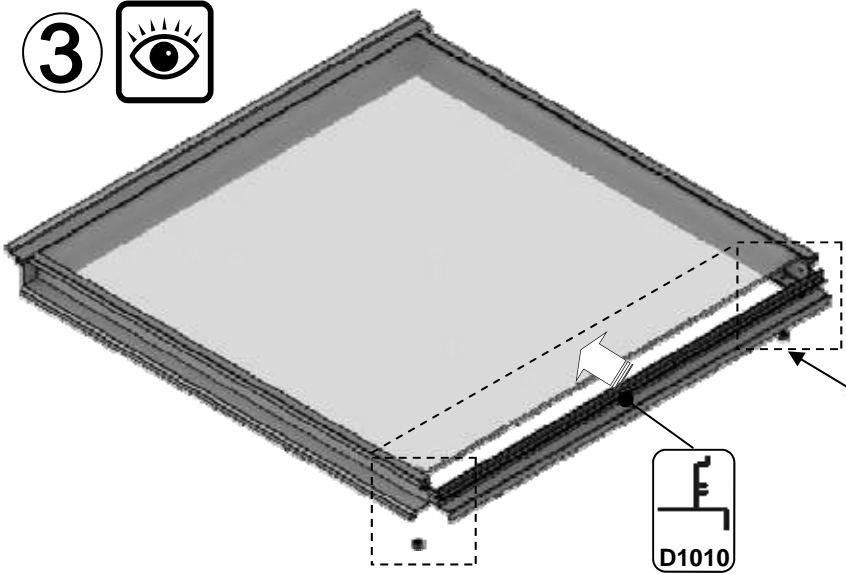
Part No		mm	Quantity
D1013		580	1
D1011		453	1
D1012		453	1
D1010		534	1

Part No		mm	Quantity
D220 PLUS SCREW		N/A	2
D205R		N/A	2
SY-BOLM6X11		10	4
SYNUTM6		M6	4
8 X 12 S/T FS6017		10	2
8 x 19 S/T FS6018		19	2

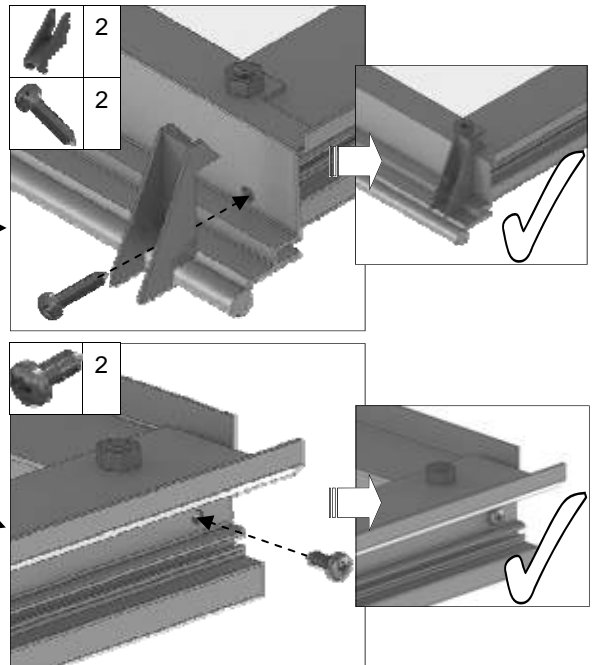
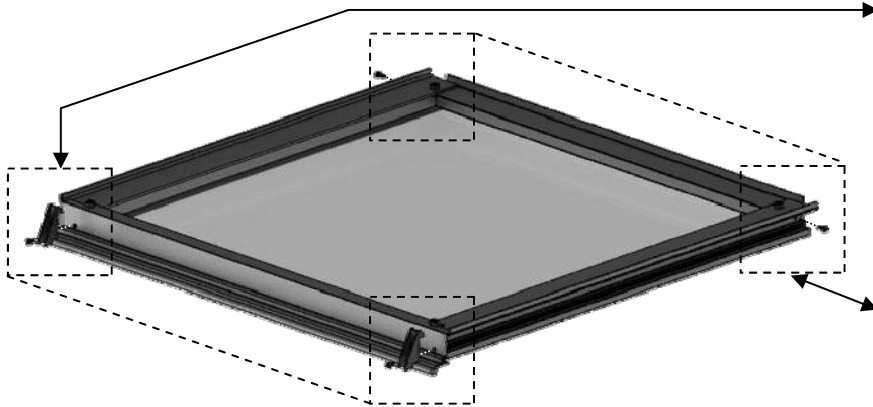
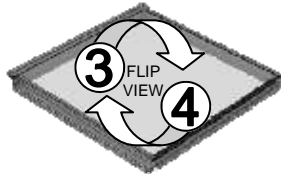


6a (6x8)  
(6x10)  
(6x12)

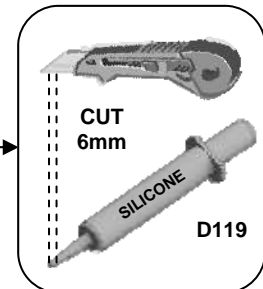
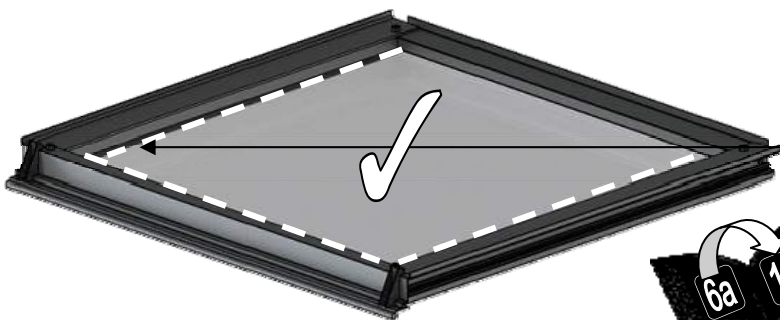
3 



4 









5 



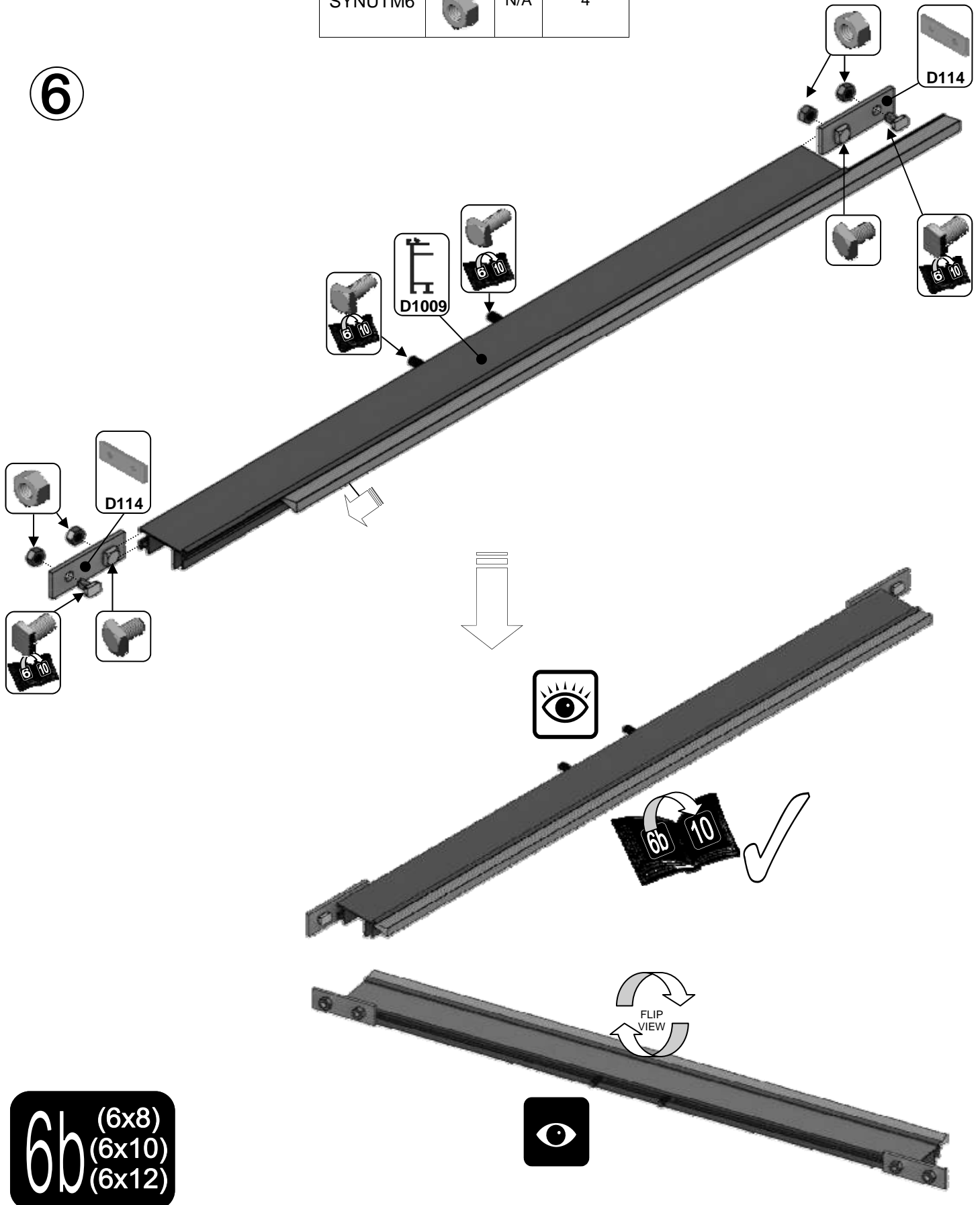
6a (6x8)  
6a (6x10)  
6a (6x12)

1 vent  
slam bar = {

Part No		mm	Quantity
SY-BOLM6X11		10	2
SY-BOLM6X15		15	2
SYBOLM6 X11CROP		10	2
SYNUTM6		N/A	4

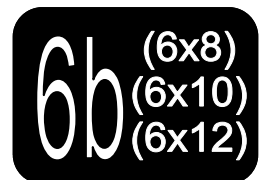
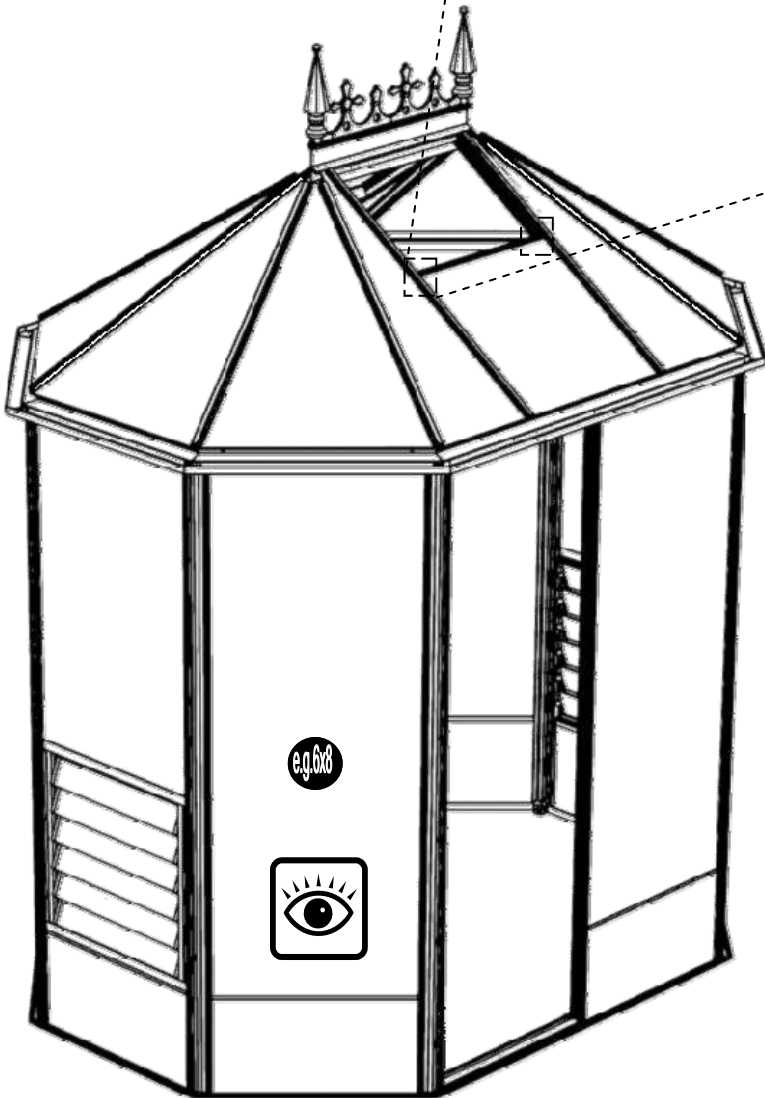
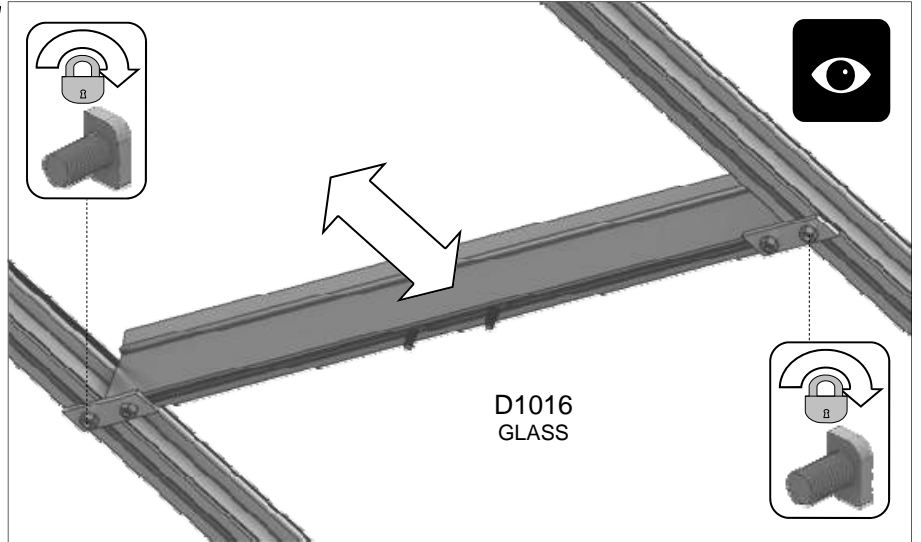
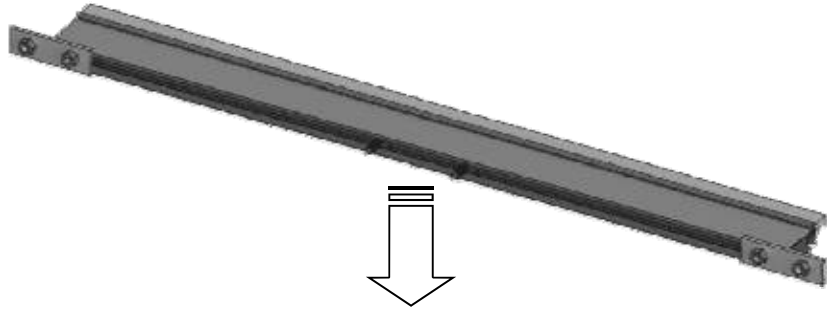
Part No		mm	Quantity
D1009 PLUS FLUFF		528	1
D114		N/A	2




6

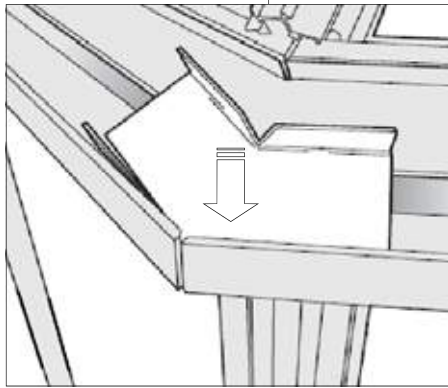
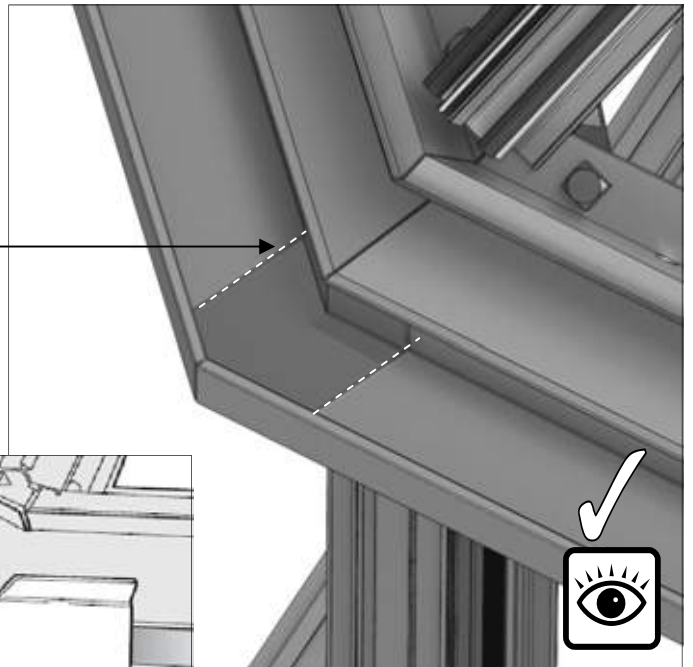
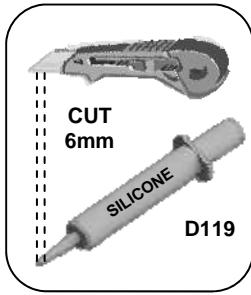


6b (6x8)  
(6x10)  
(6x12)

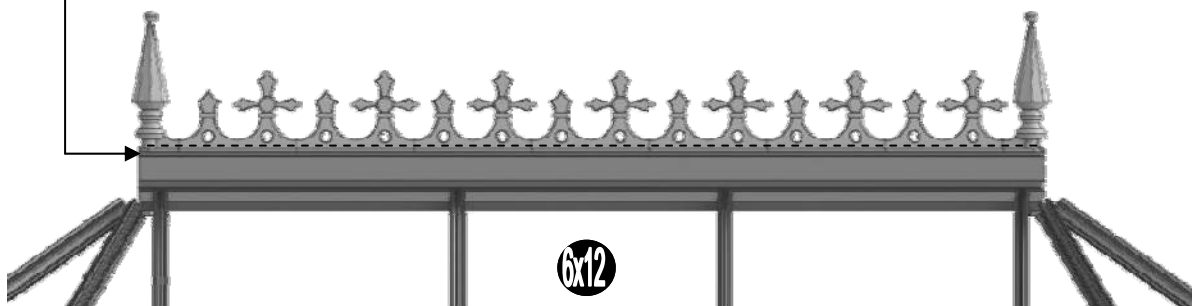
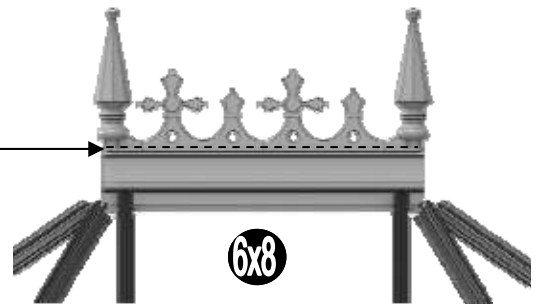
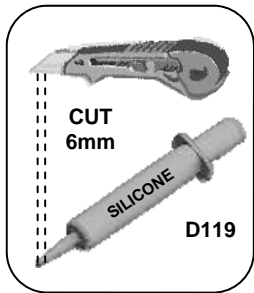


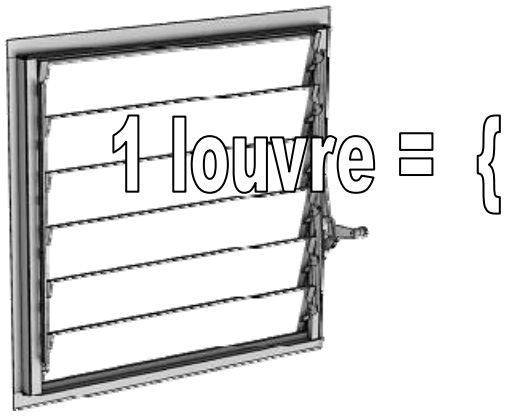


PART No		6	6	6	6
		X	X	X	X
		6	8	10	12
D1024		8			
ROCRE W/G		0	2	3.5 (4)	5
ROFIN W/G		0	2		

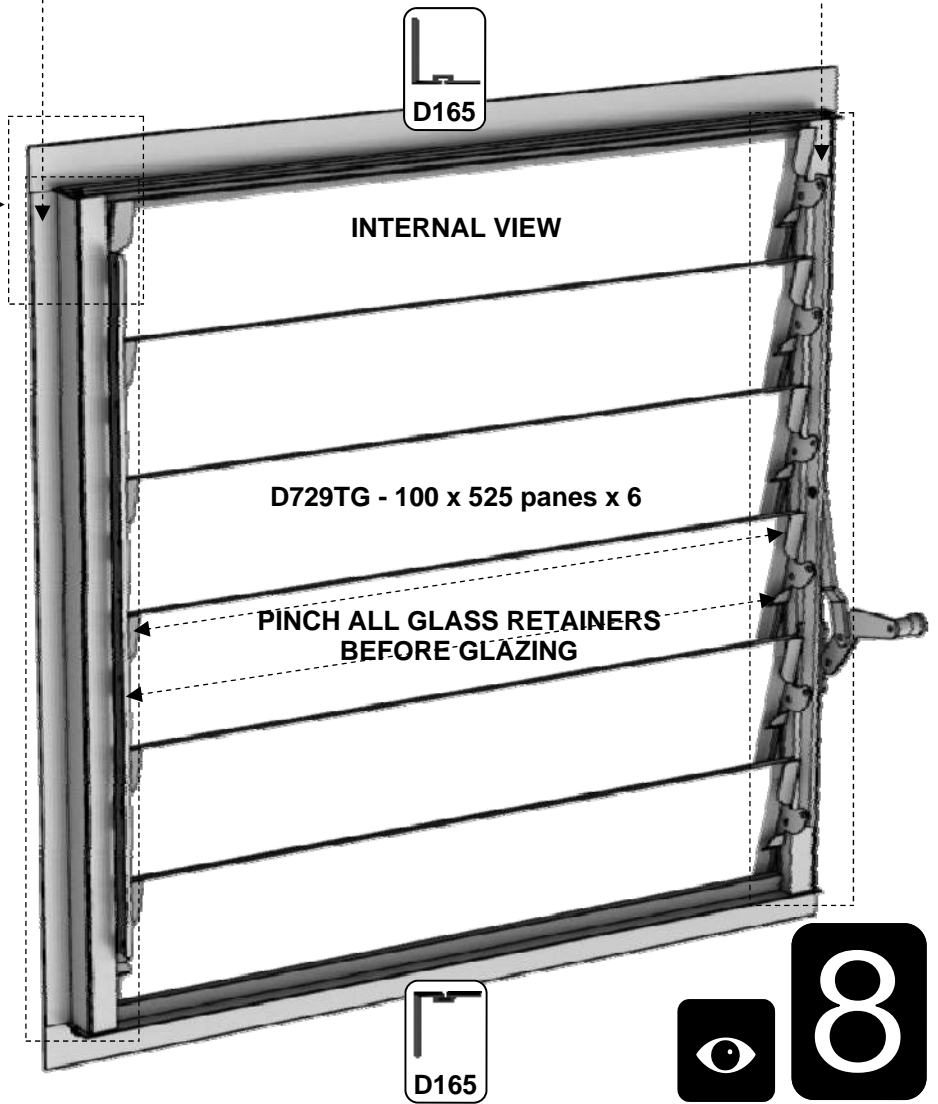
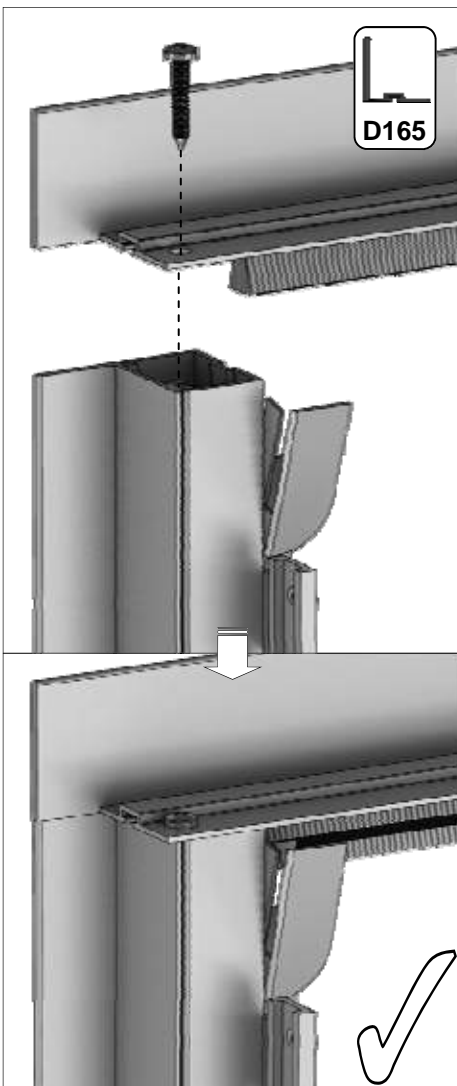
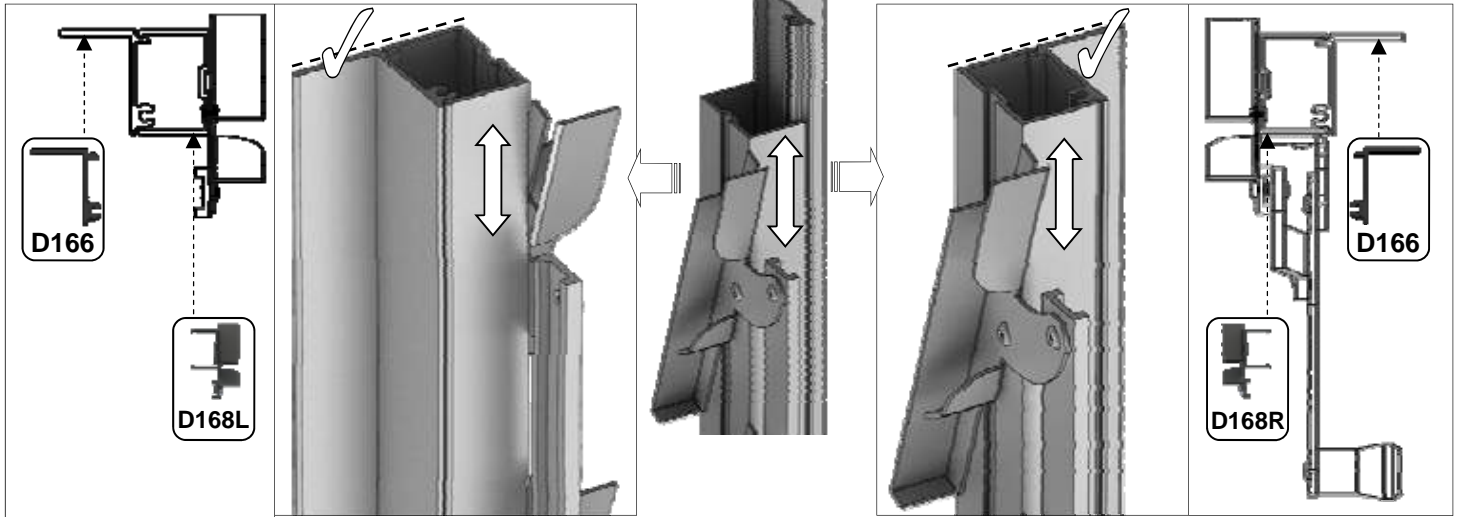


D1024





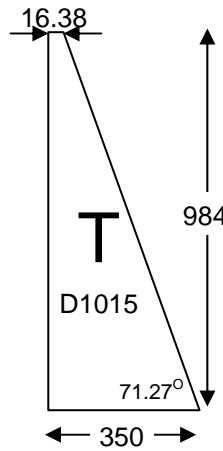
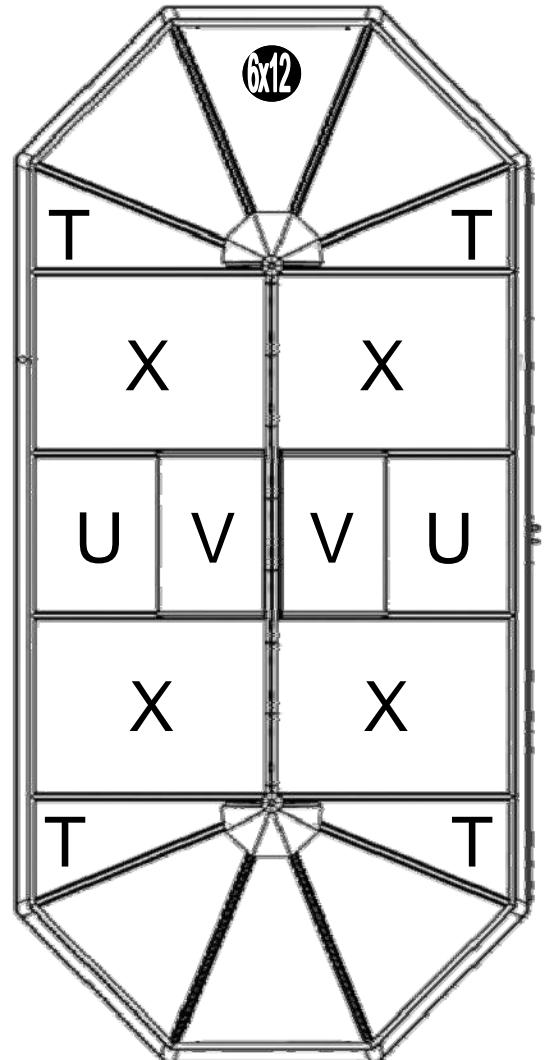
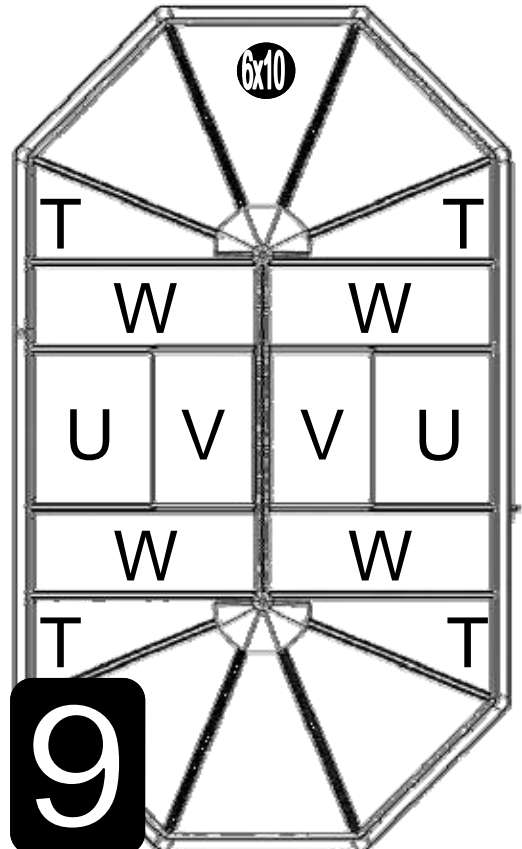
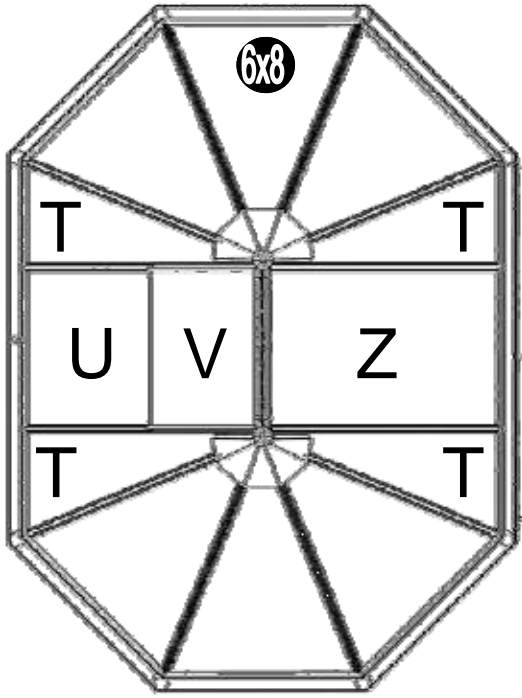
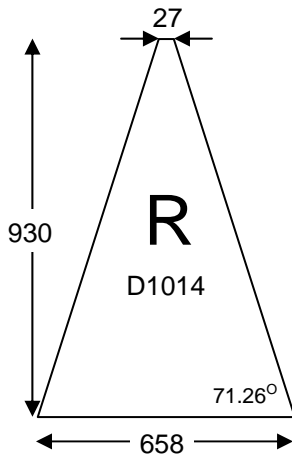
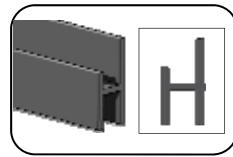
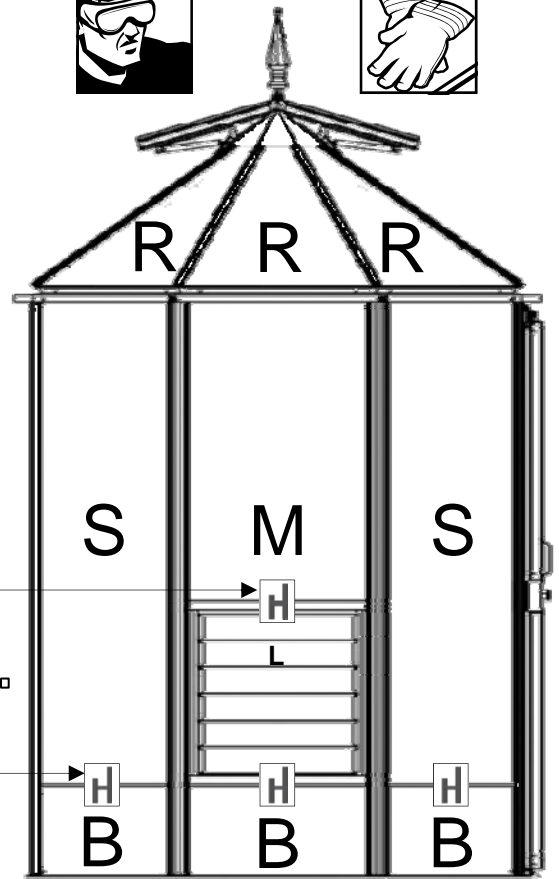
Part No		mm	Quantity
D168L		552	1
D168R (handle)		552	1
D165		612	2
D166		552	2
FS6013		12	4



PART No	Size (mm)	6				
		X	X	X	X	
		6	8	10	12	
D519	S	610 X 1628	5	7	9	10
D1254	B	610 X 305	7	9	11	12
D521	M	610 X 1016	2			
D729TG	L	100 X 525	12			
D1016	U	550 X 550	0	1	2	2
D1017	V	550 X 450	0	1	2	2
D1018	Z	550 X 980	0	1	0	0
D1040	W	300 X 980	0	0	4	0
D1039	X	610 X 980	0	0	0	4
D101	H	610	9	11	13	14



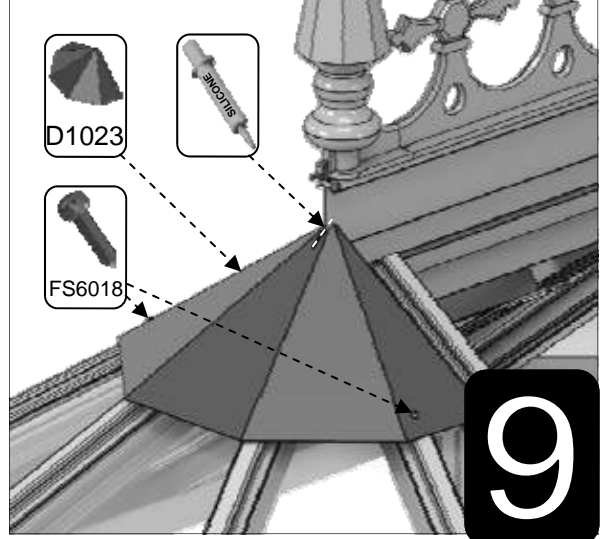
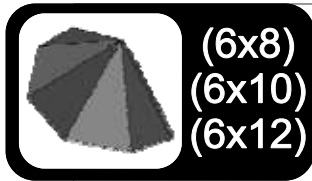
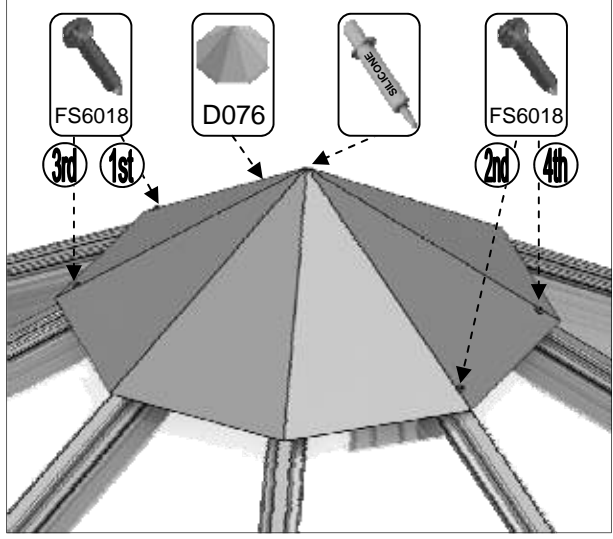
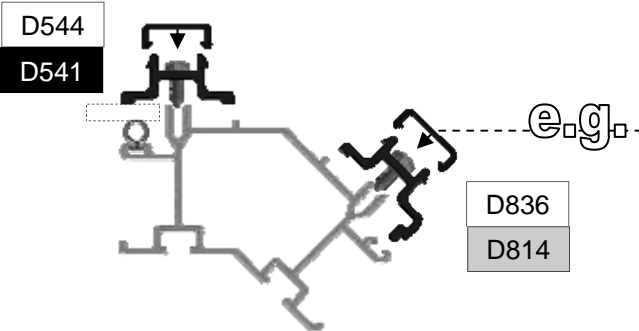
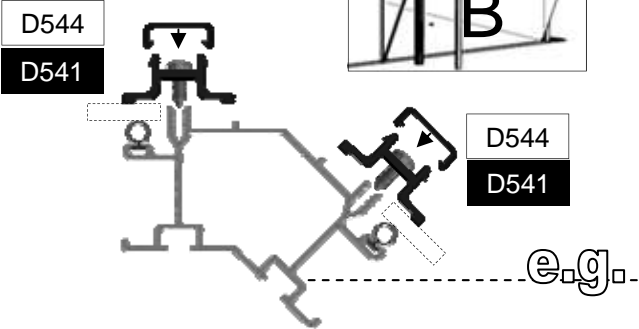
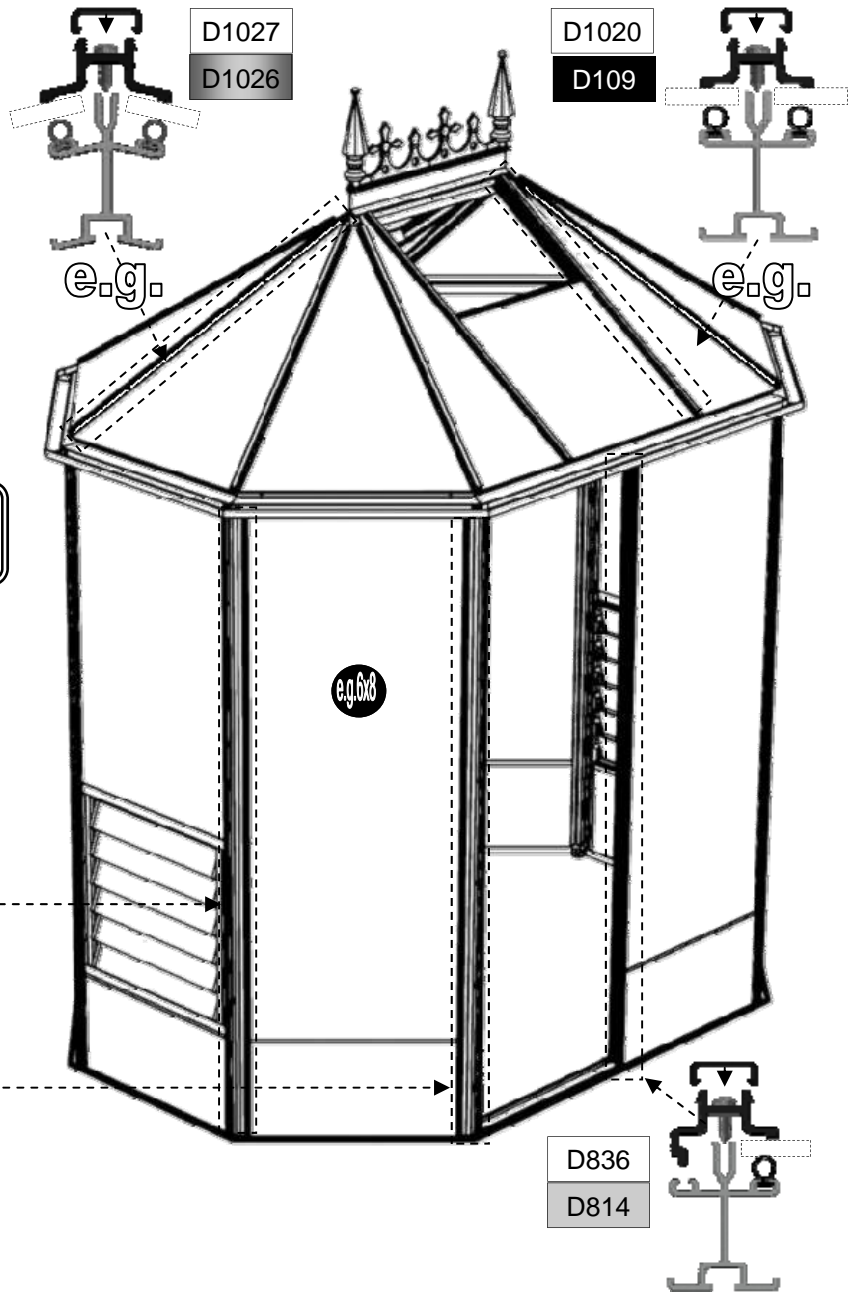
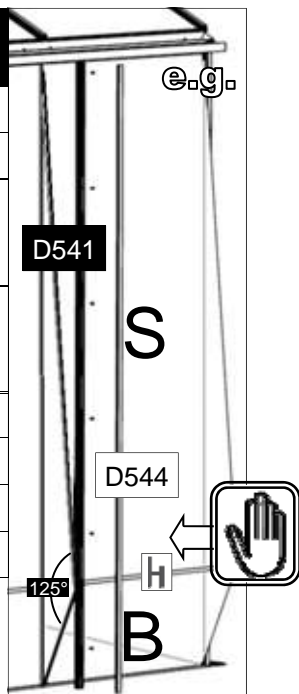
RENAISSANCE TOUGHENED GLASS

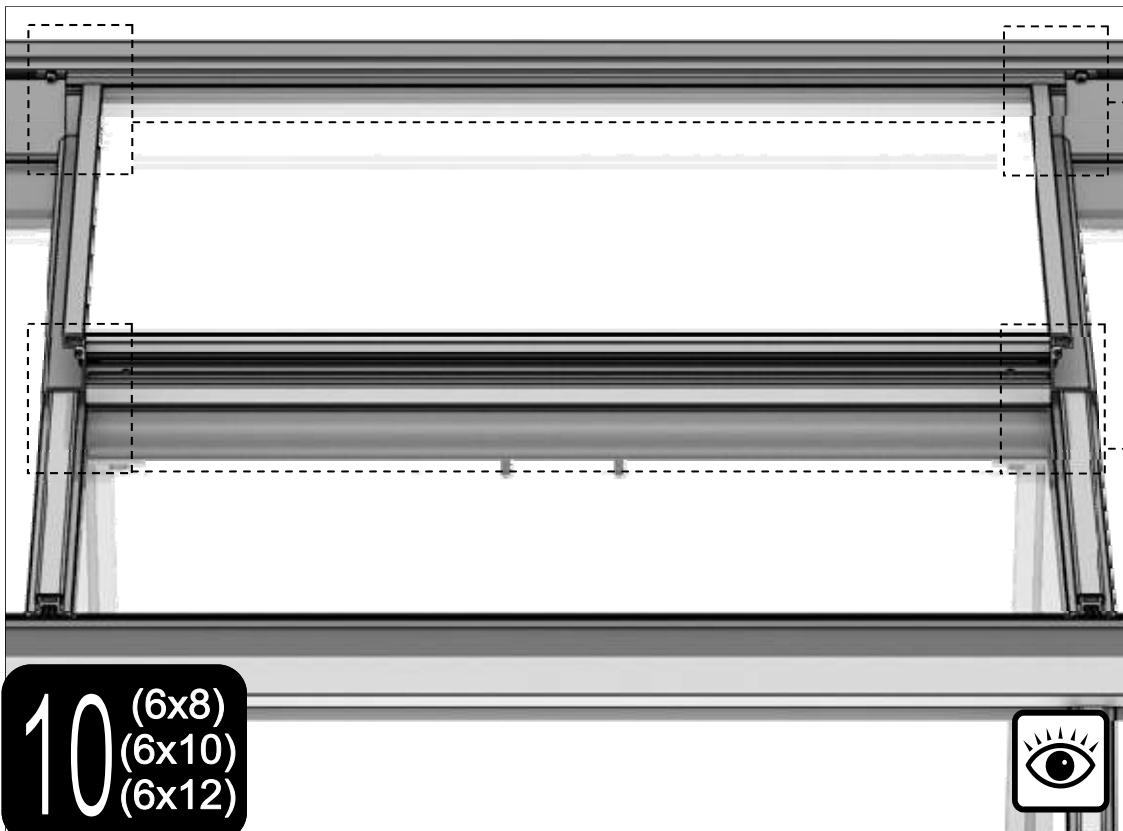
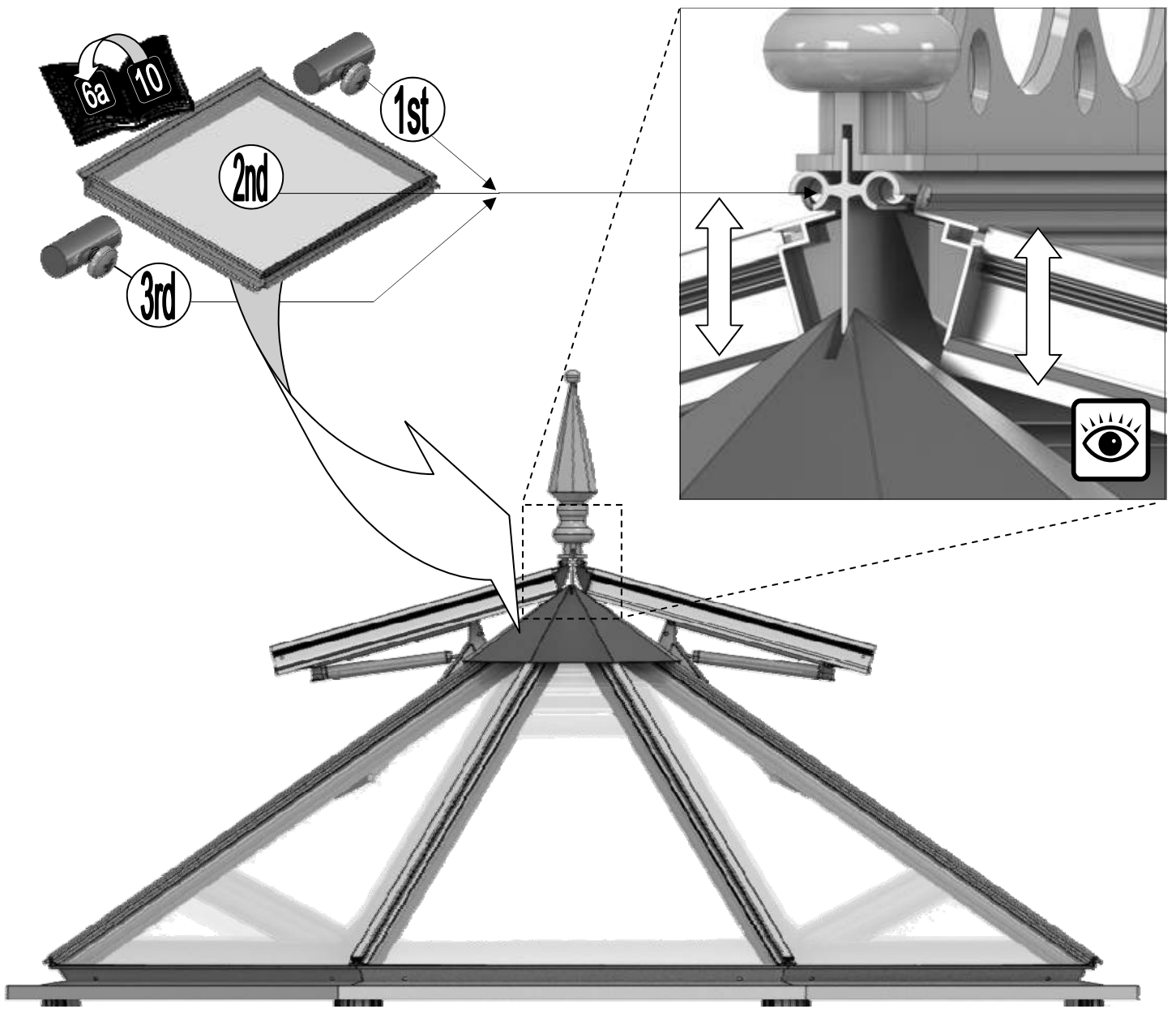


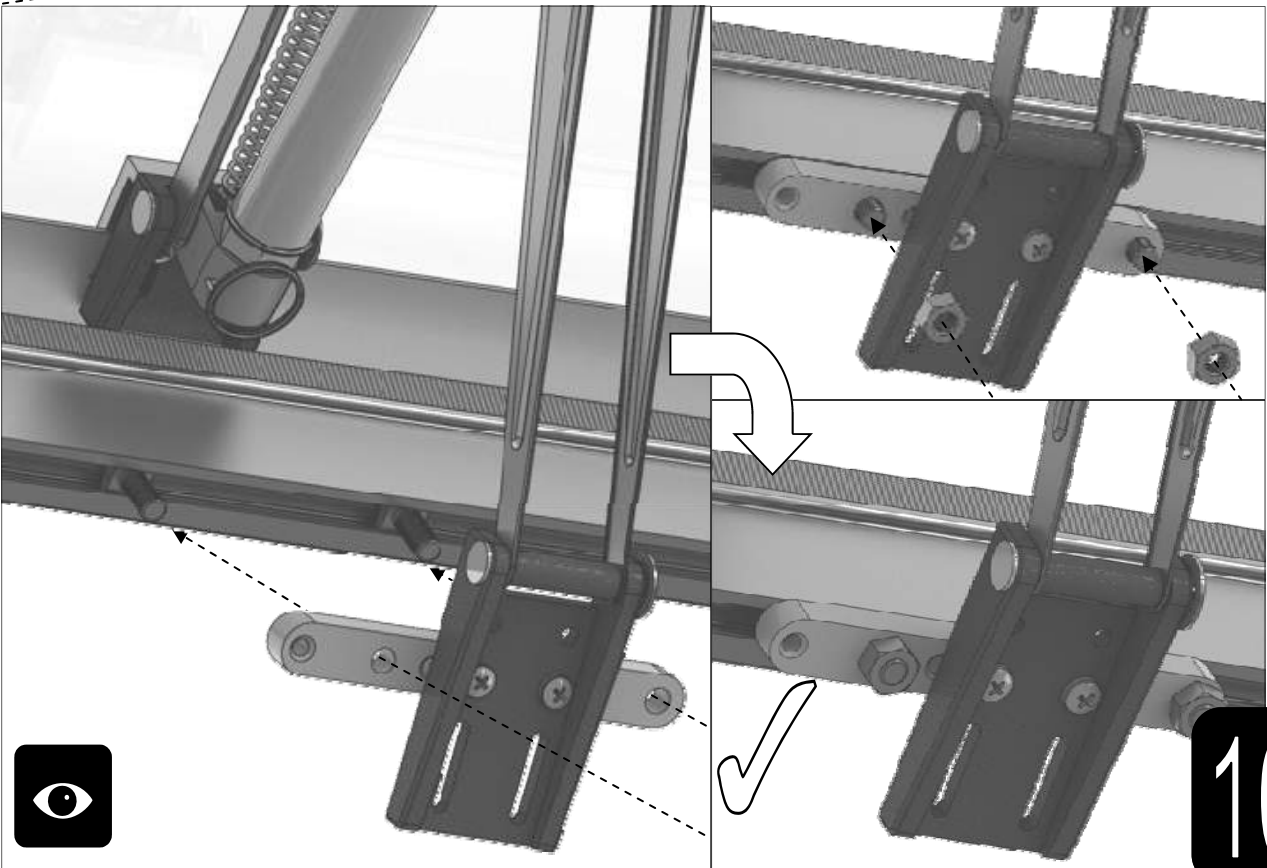
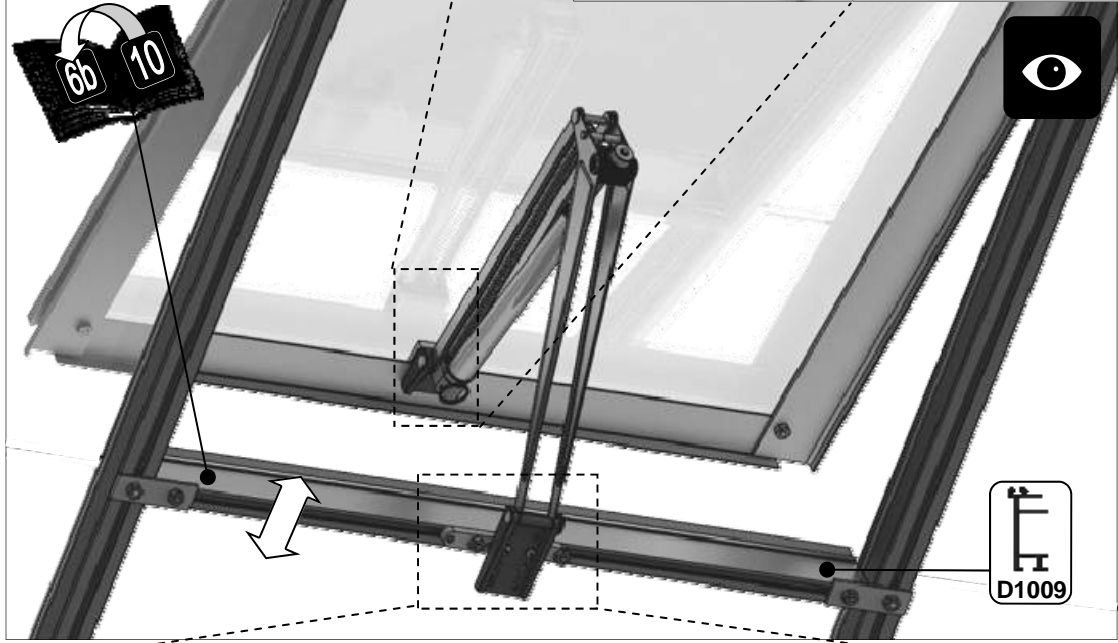
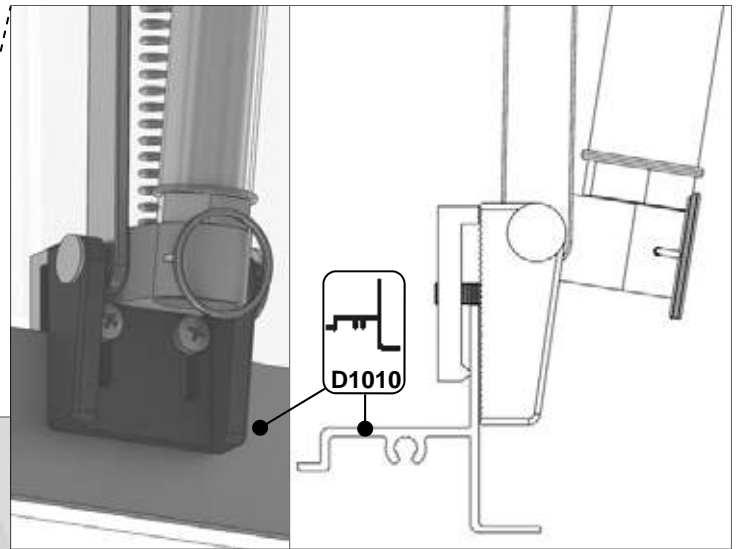
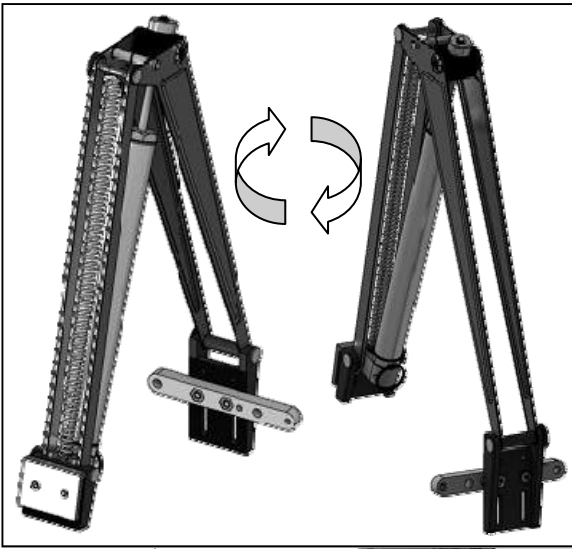
DOOR PANES FROM SECTION 5		6			
		X	X	X	X
		6	8	10	12
D909	247 X 812	2	0	0	0
D910	247 X 922	2	0	0	0
D911	555 X 812	0	1	1	2
D912	555 X 922	0	1	1	2

9

PART No	Section	Size (mm)
D541		1915
D109		965
D814		1883
D1026		970
D544		1915
D836		1883
D1020		965
D1027		970



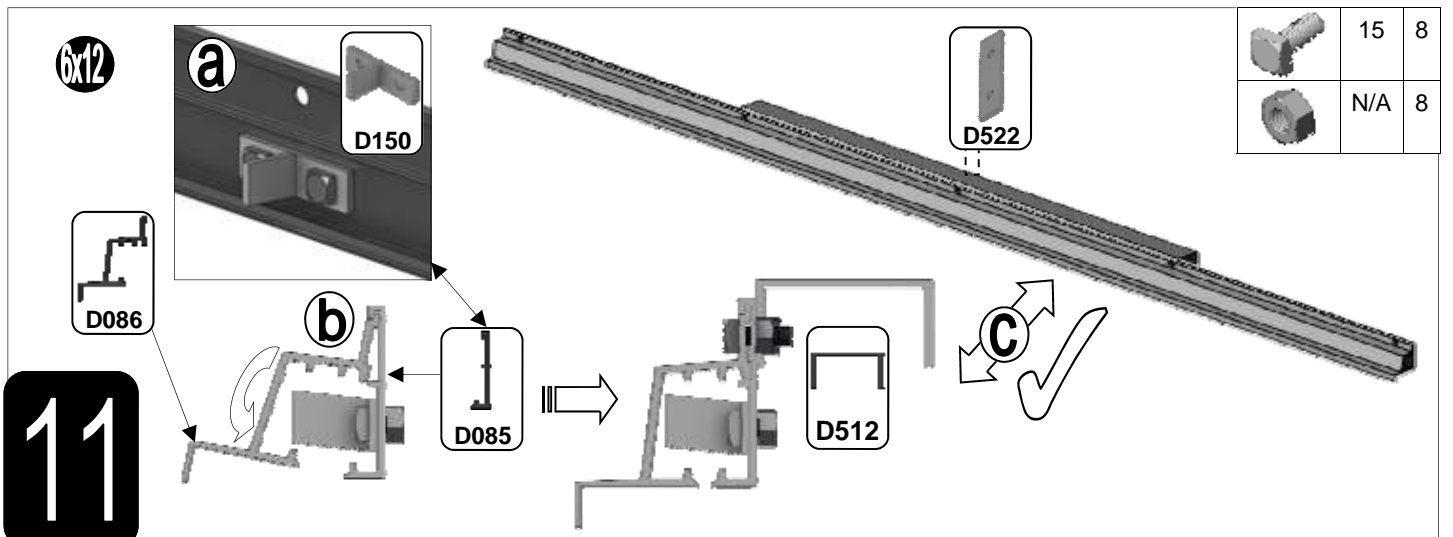
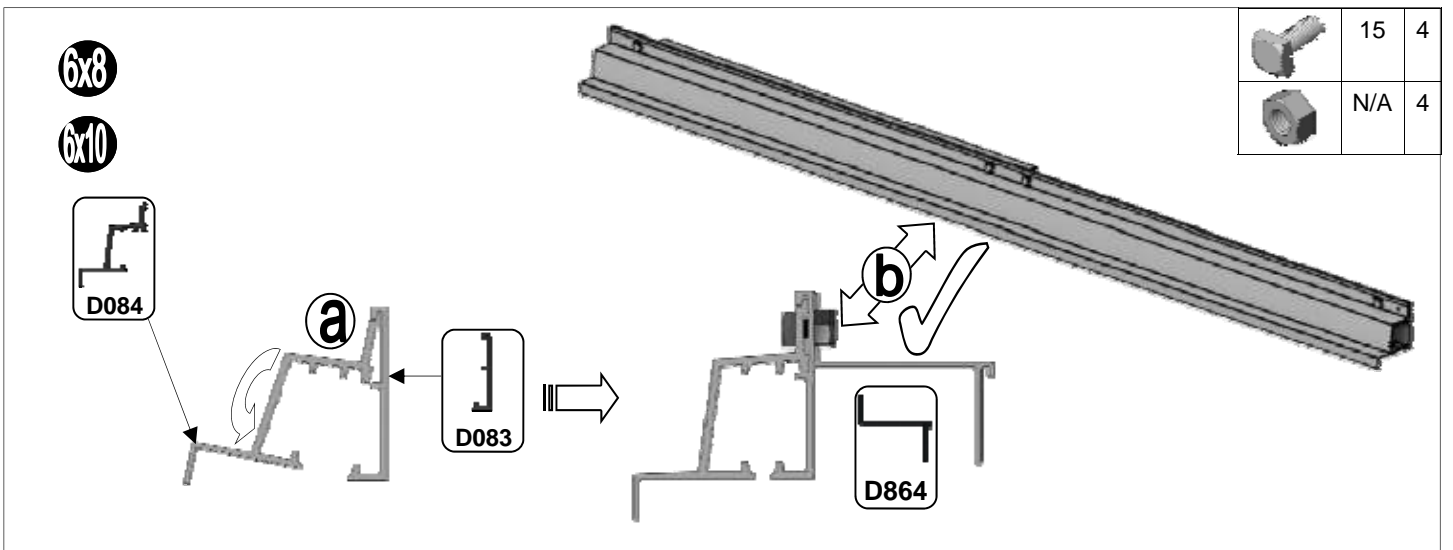
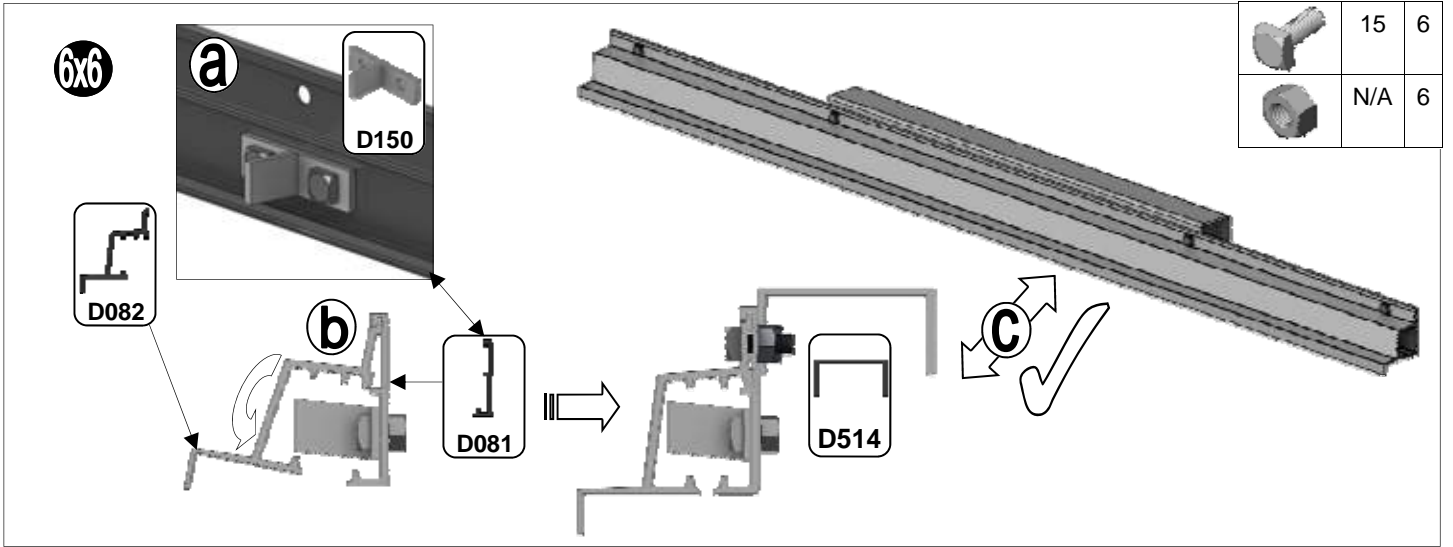




PART No	6 X 6	6 X 8	6 X 10	6 X 12
D514		1		N/A
D512		N/A		1
D864	N/A	1		N/A

PART No	6 X 6	6 X 8	6 X 10	6 X 12
D081 D083 D085	1	1	1	1
D082 D084 D086	1	1	1	1

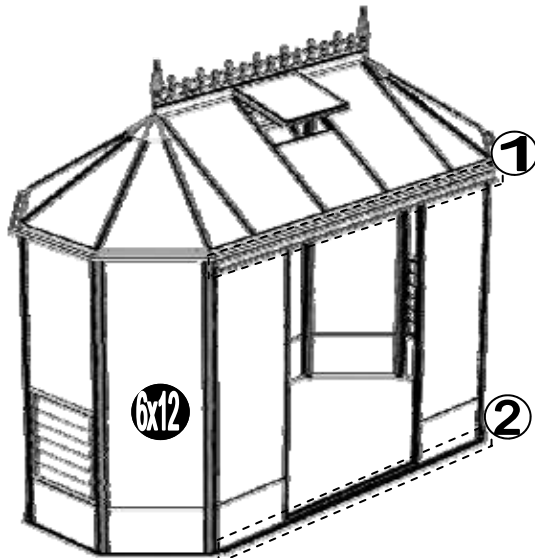
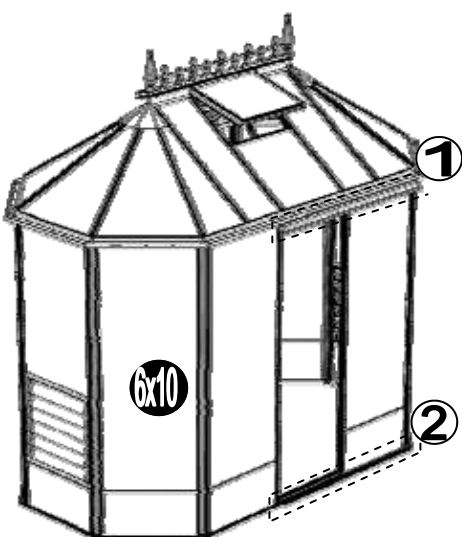
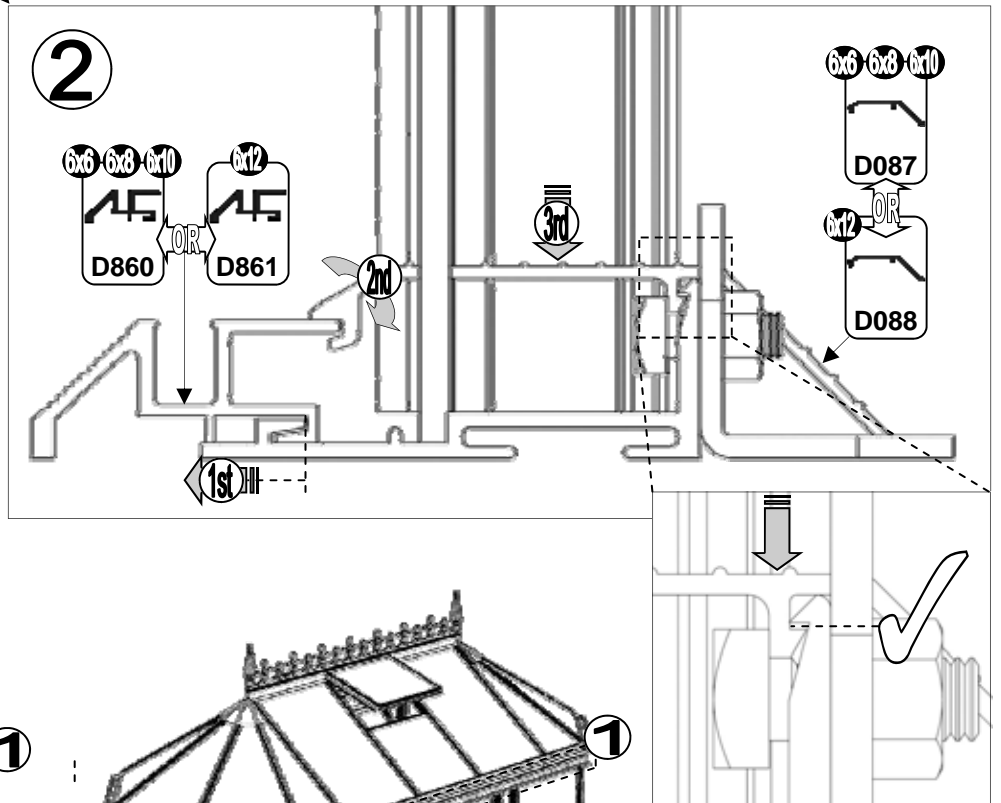
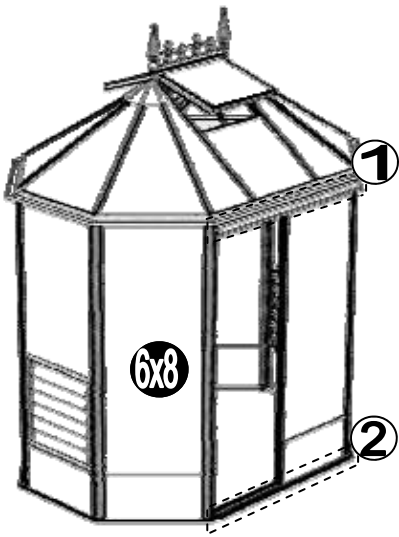
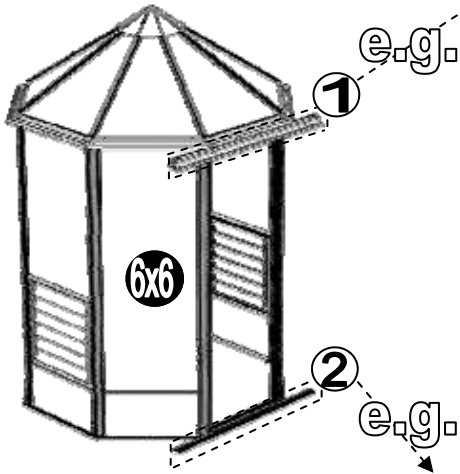
PART No	6 X 6	6 X 8	6 X 10	6 X 12
D150	1	N/A		1
D522 (48mm)		N/A		1






**11**

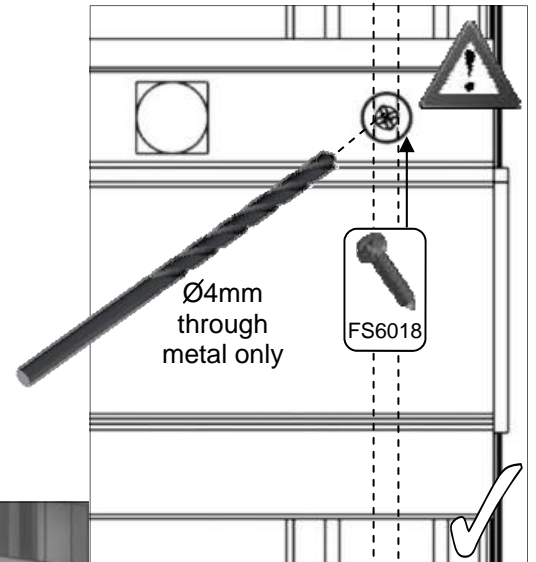
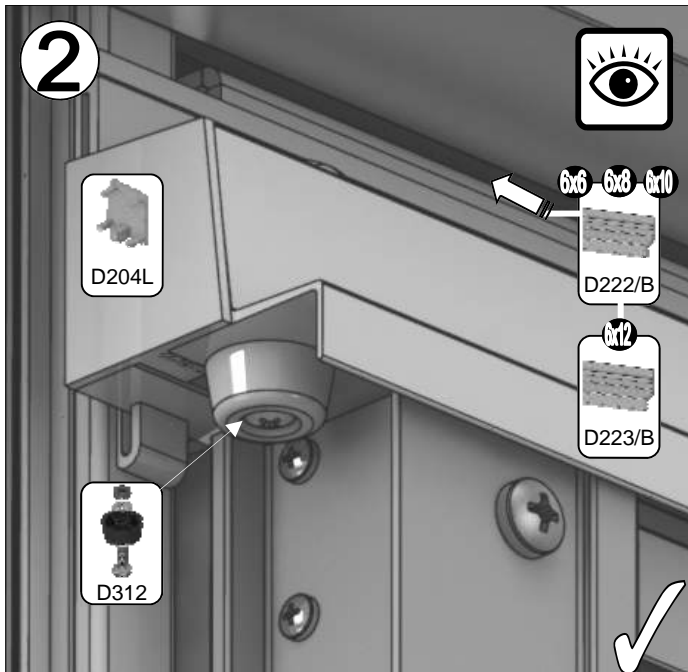
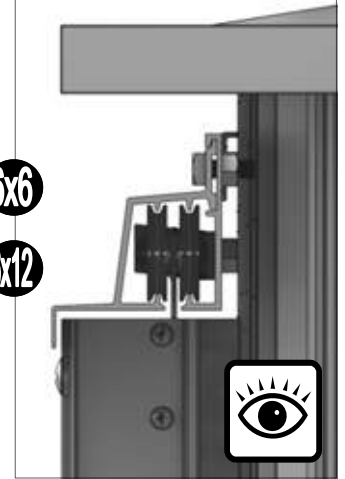
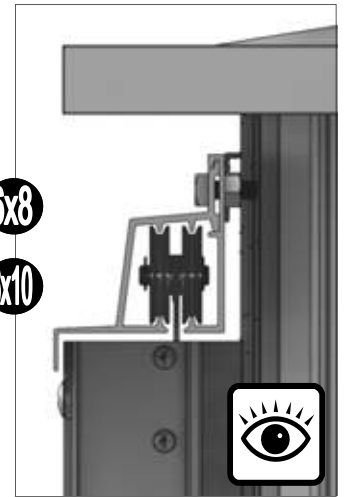
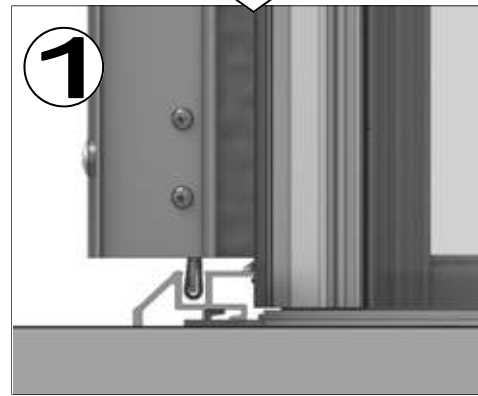
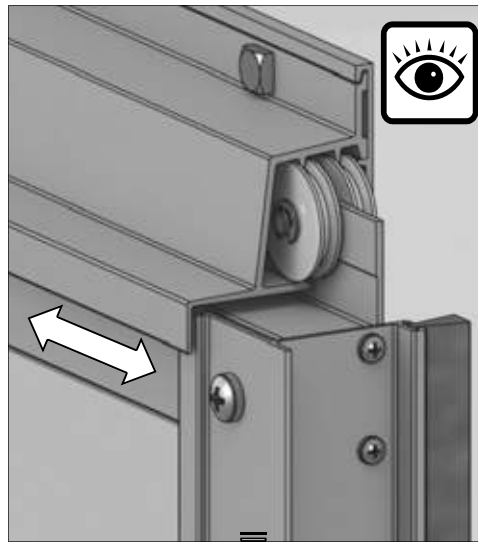
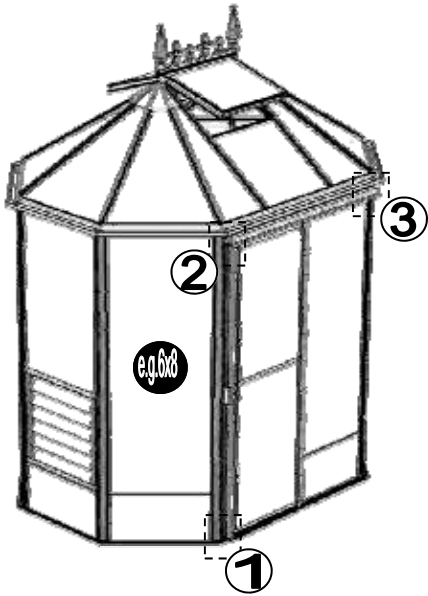


PART No	6	6	6	6
	X	X	X	X
	6	8	10	12
D163		2		
D845		2		
D860		1	N/A	
D861		N/A	1	
D087		1	N/A	
D088		N/A	1	

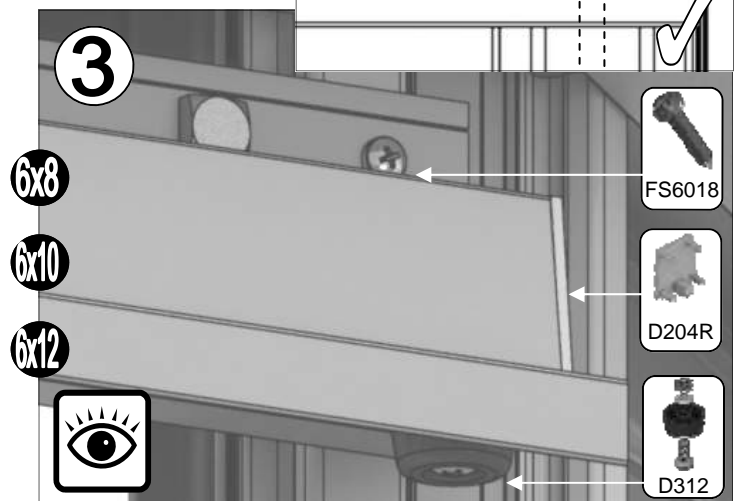



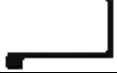

11

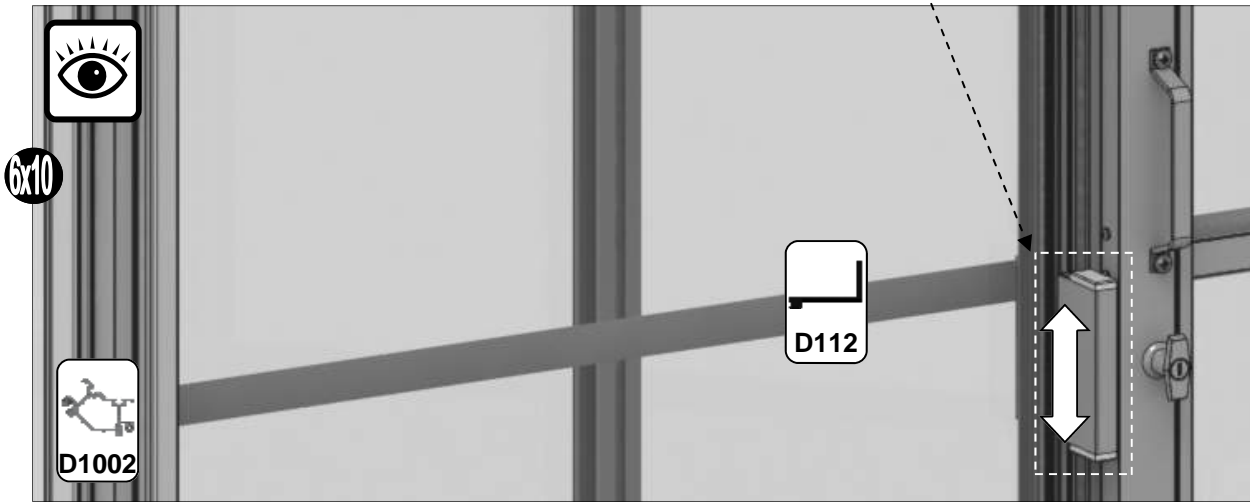
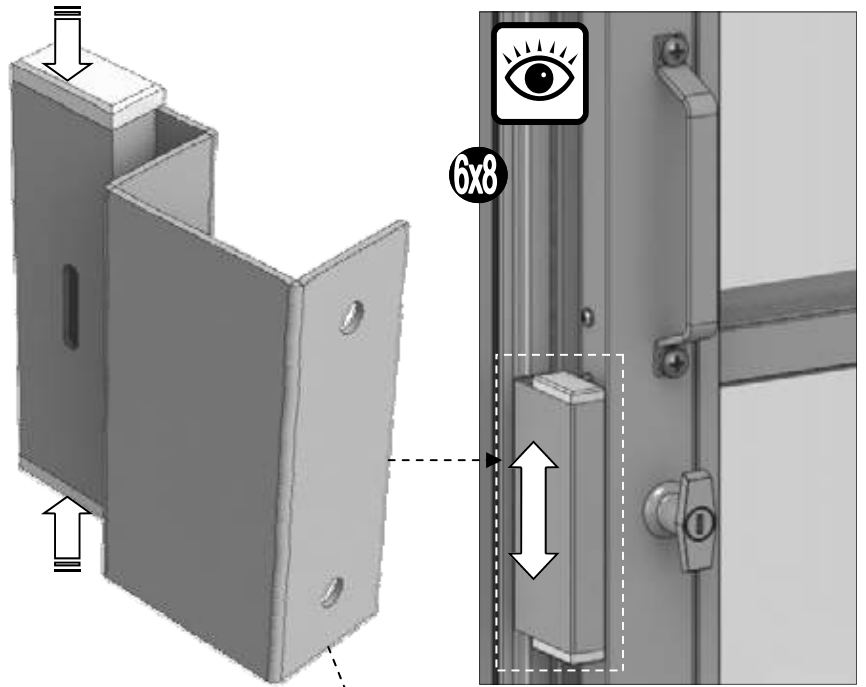
PART No		6	6	6	6
		X	X	X	X
		6	8	10	12
D312			2		
D204L /B			1		
D204R /B			1		



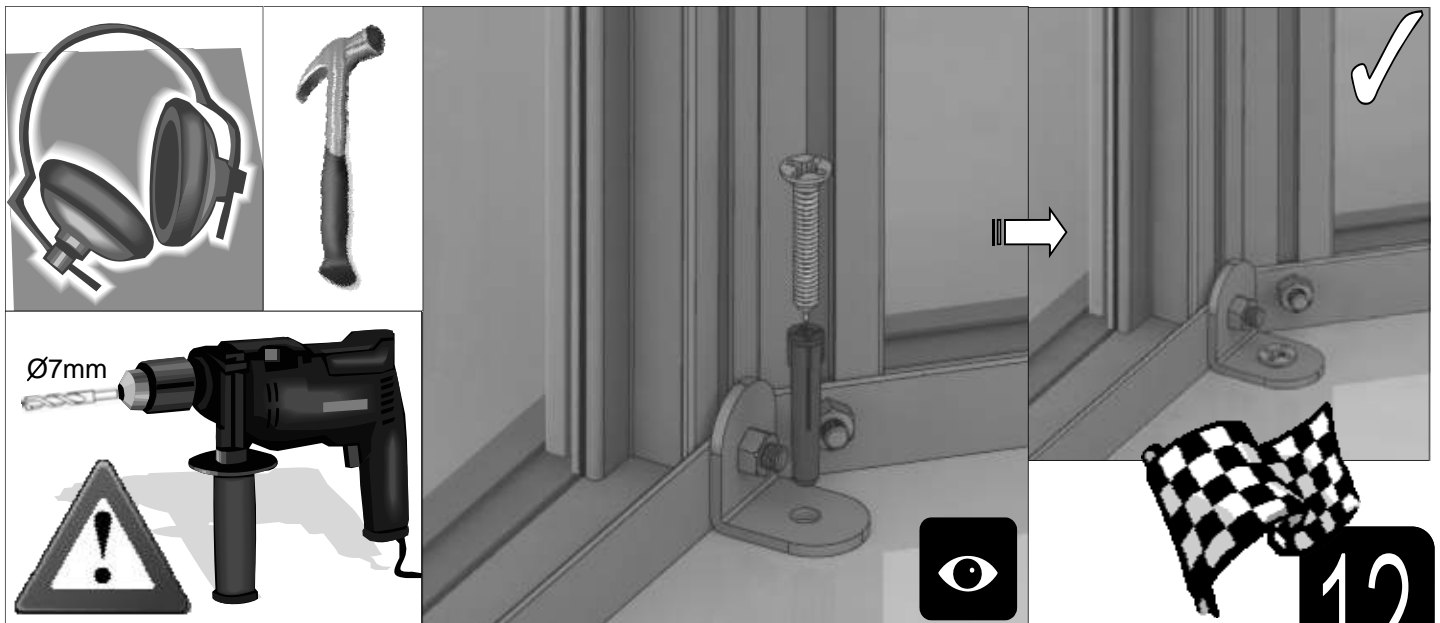
11



PART No		6	6	6	6
		X	X	X	X
		6	8	10	12
D842		0	1	1	0
D112		0	0	1	0
M6 crop		0	2	3	0



11



12

Please be aware that this is a new multi-national manual. If you spot any errors or have any constructive comments regarding the manual please email [james@thegreenhousepeople.co.uk](mailto:james@thegreenhousepeople.co.uk) and I will make the necessary amendments. In addition any photographs of completed buildings would be most appreciated to add to our portfolio.

## Here's how you can earn £30 and have your new greenhouse feature in our next brochure....

We are always interested to hear how you went on assembling your greenhouse, and we are particularly interested to see photos of the finished article.

We like to see where you've put it, how you're using it and how it looks in your garden. Often we glean ideas from this which we can pass on to other gardeners as useful tips.

It is always nice if we can include 'real' greenhouse photos in the brochure, so if you send us a photo of your greenhouse to us and it is good enough to get into our next brochure, **we will send you a £30 reward.**

**Please send your photos to:**

**Photo competition  
Robinsons Greenhouses  
Blythe Park  
Cresswell  
Stoke-on-Trent  
Staffs  
ST11 9RD**

**Or better still, email us on [james.durose@greenhousepeople.co.uk](mailto:james.durose@greenhousepeople.co.uk)**

Please write on the reverse of photos your name and address and if you would like them back, please write 'please return' on them too.

**We wish you all the best with your new greenhouse, and we look forward to seeing your photos in the near future!**

THIS GREENHOUSE BOX WAS PACKED BY: \_\_\_\_\_

DATE: \_\_\_\_\_



[www.robinsonsgreenhouses.co.uk](http://www.robinsonsgreenhouses.co.uk)

To contact Robinsons Customer Services email us at [sales@robinsonsgreenhouses.co.uk](mailto:sales@robinsonsgreenhouses.co.uk) or call us on 01782 385 409.

Our address is Robinsons Greenhouses, Unit 19 Blythe Park, Cresswell, Stoke-on-Trent, Staffordshire, ST11 9RD